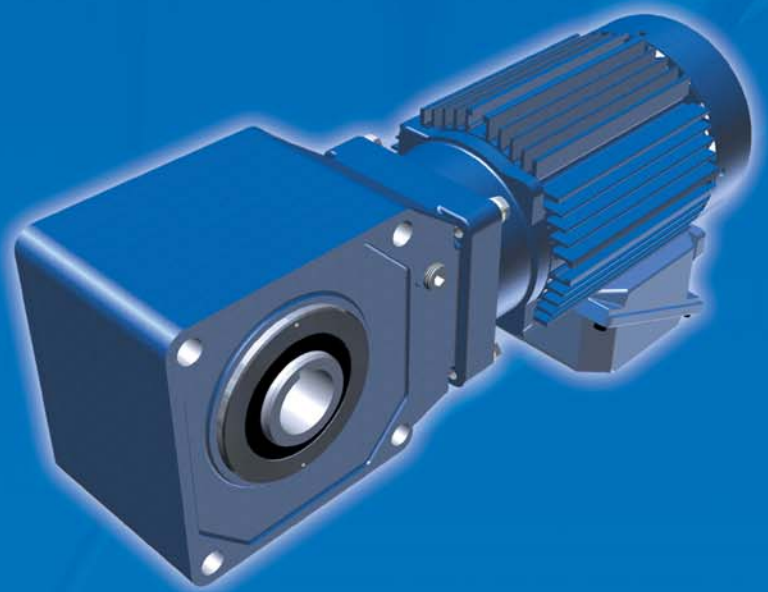


New Sizes Available

Sumitomo Drive Technologies
Always on the Move

Hyponic[®]



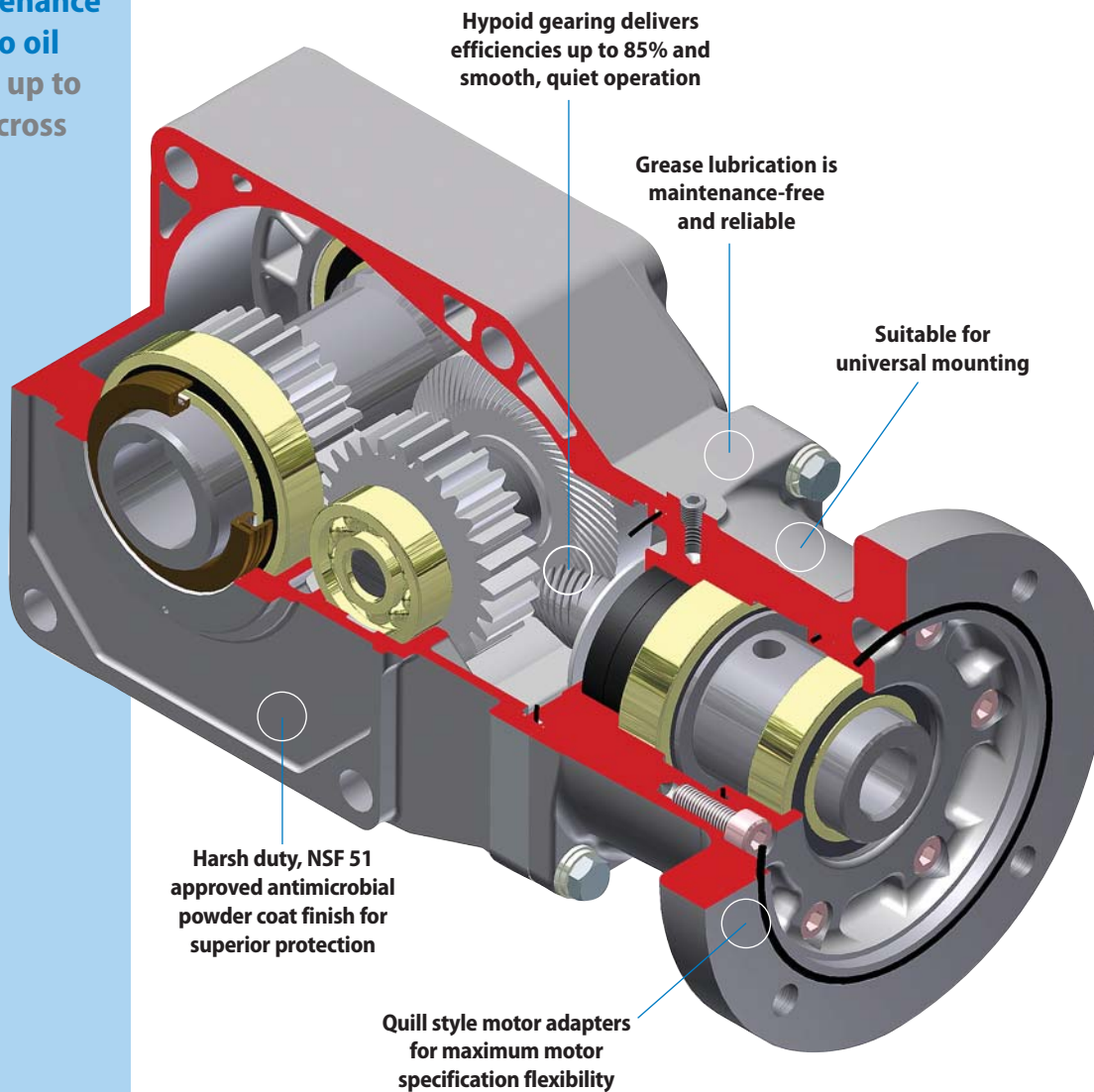
► Highly Efficient, Grease Lubricated, Compact Design

U. S. PAT. NO. 5,203,231; U.S. PAT. NO. 5,375,479

Hyponic®

Highly Efficient, Grease Lubricated, Compact Design

- ▶ Grease lubricated design is maintenance free, requires no oil changes, and is up to 85% efficient across all ratios



Quiet, Compact and Maintenance-Free

- ▶ All-steel hypoid gear design transmits torque more efficiently for more torque density in a compact unit

Product Description

The Sumitomo Hyponic® Gearmotor represents 60 years of excellence in the design and manufacture of premium gearing solutions. With millions of Hyponics currently in service, the product features a compact, modular housing, **maintenance-free grease lubrication and high efficiency operation**. Options include C-face quill design; unique FKM antimicrobial, multi-lipped rotary output seal; corrosion resistant, stainless output shaft and hardware; and synthetic NSF H-1, food-grade lubricant. NSF51 antimicrobial powder coating makes Hyponic® the ideal choice for food, beverage, and pharmaceutical industries. Sumitomo's patented, all-steel hypoidal gear technology leads the industry in quiet operation and high efficiency. The Hyponic® significantly outperforms worm gearing across ratios from 30:1 to 1440:1.

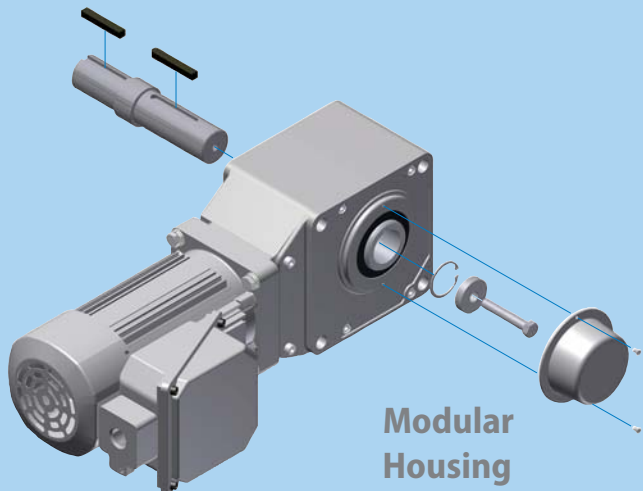
Features & Benefits

- Patented Hyponic gear technology is **up to 85% efficient** across all ratios and requires no cooling fan
- **NSF 51 approved antimicrobial powder coating** protects against the growth of bacteria, mold, and fungus.
- **All-steel hypoid gear design** transmits torque more efficiently for more torque density in a compact unit
- **Maintenance-free grease lubrication** eliminates oil changes
- **Compact, lightweight** design in an aluminum, corrosion resistant housing with optional washdown protection
- Hollow bore makes **installation and retrofit quick and easy**
- **Extremely quiet**, smooth operation is ideal for commercial use
- **Two-Year warranty**
- Optional, popular keyed-hollow bore sizes available from stock: 1-3/16", 1-7/16", 1-15/16", 2-3/16"

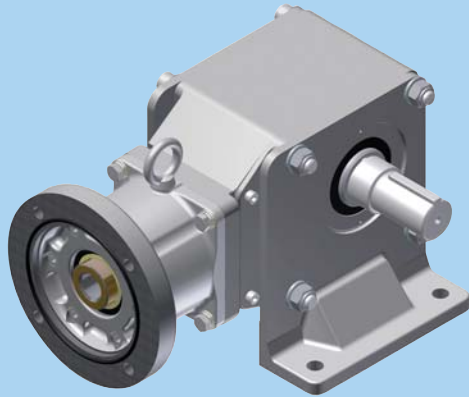
Specifications

Ratios:	5:1 up to 1440:1
HP:	1/8 to 15 HP
Maximum Torque:	13,100 in-lbs.
Electrical:	230/460 VAC (Single and 3-Phase)
Housing:	Lightweight, corrosion-resistant aluminum for most sizes
Mounting:	Flange, Bolt-On Feet
Shafts:	Hollow, Solid
Input:	Quill, C-Face Adapter or Integral Motor

► Optional plug-in shaft and bolt-on feet enhance Hyponic® mounting flexibility



Modular Housing



C-Face Quill Adapter, Plug-in Shaft, Foot Mount



► Applications

- Bottling & Food Processing
- Commercial Bakery Lines
- Pharmaceutical Machinery
- Automotive Assembly Plants
- Conveyor Lines & Material Handling
- Wood Processing & Paper Products
- Residential Elevators & Lifts
- Automated Bay & Dock Door Drives
- Crushers
- Dehydrators
- Packaging

Product Range Standard Motor and Reducer Combinations

Gearmotor Options

- UL
- Class F Insulation, 1.15 SF
- Induction (single or 3-phase)
- Brake
- Inverter Duty
- NSF H1 Synthetic Lubrication
- Plug-in Solid Shaft
- Mounting Plates - Foot and Flange
- Shrink Disk Hollow Shaft Face Mount
- Torque Arm
- Weather-proof IP 54 Duty
- Washdown IP55 Duty
- Food-ready Washdown IP55
- Low Temperature Duty



Reducer Options

- NSF H1 Synthetic Lubrication
- Harsh Duty FKM Antimicrobial Seals
- Plug-in Solid Shaft
- Mounting Plates - Foot and Flange
- Shrink Disk Hollow Shaft Face Mount
- Torque Arm
- Weather-proof IP 54 Duty
- Washdown IP55 Duty
- Food-ready Washdown IP55
- High-pressure Washdown Duty
- Food-ready High-pressure Washdown Duty
- Low Temperature Duty



Gearmotor Reduction Ratios 5 - 1440

Combinations with 1750 RPM motor

Ratio	5	7	10	12	15	20	25	30	40	50	60	80	100	120	150	200	240	300	360	480	600	720	900	1200	1440	
Output Speed RPM (60 Hz)	350	250	175	146	117	88	70	58	44	35	29	22	18	15	12	8.8	7.3	5.8	4.9	3.7	3.1	2.3	1.9	1.46	1.22	
3-Phase	1/8	•	•	•	•	•	•	•	•	•	•	•	•	•	•	•	•	•	•	•	•	•	•	•	•	•
Motor HP	1/4	•	•	•	•	•	•	•	•	•	•	•	•	•	•	•	•	•	•	•	•	•	•	•	•	•
	1/3	•	•	•	•	•	•	•	•	•	•	•	•	•	•	•	•	•	•	•	•	•	•	•	•	•
	1/2	•	•	•	•	•	•	•	•	•	•	•	•	•	•	•	•	•	•	•	•	•	•	•	•	•
	3/4	•	•	•	•	•	•	•	•	•	•	•	•	•	•	•	•	•	•	•	•	•	•	•	•	•
	1	•	•	•	•	•	•	•	•	•	•	•	•	•	•	•	•	•	•	•	•	•	•	•	•	•
	1.5	•	•	•	•	•	•	•	•	•	•	•	•	•	•	•	•	•	•	•	•	•	•	•	•	•
	2	•	•	•	•	•	•	•	•	•	•	•	•	•	•	•	•	•	•	•	•	•	•	•	•	•
	3	•	•	•	•	•	•	•	•	•	•	•	•	•	•	•	•	•	•	•	•	•	•	•	•	•
	5	•	•	•	•	•	•	•	•	•	•	•	•	•	•	•	•	•	•	•	•	•	•	•	•	•
	7.5	•	•	•	•	•	•	•	•	•	•	•	•	•	•	•	•	•	•	•	•	•	•	•	•	•
10	•	•	•	•	•	•	•	•	•	•	•	•	•	•	•	•	•	•	•	•	•	•	•	•	•	
Inverter Duty	1/8	•	•	•	•	•	•	•	•	•	•	•	•	•	•	•	•	•	•	•	•	•	•	•	•	•
	1/4	•	•	•	•	•	•	•	•	•	•	•	•	•	•	•	•	•	•	•	•	•	•	•	•	•
	1/3	•	•	•	•	•	•	•	•	•	•	•	•	•	•	•	•	•	•	•	•	•	•	•	•	•
	1/2	•	•	•	•	•	•	•	•	•	•	•	•	•	•	•	•	•	•	•	•	•	•	•	•	•
	3/4	•	•	•	•	•	•	•	•	•	•	•	•	•	•	•	•	•	•	•	•	•	•	•	•	•
	1	•	•	•	•	•	•	•	•	•	•	•	•	•	•	•	•	•	•	•	•	•	•	•	•	•
	1.5	•	•	•	•	•	•	•	•	•	•	•	•	•	•	•	•	•	•	•	•	•	•	•	•	•
	2	•	•	•	•	•	•	•	•	•	•	•	•	•	•	•	•	•	•	•	•	•	•	•	•	•
	3	•	•	•	•	•	•	•	•	•	•	•	•	•	•	•	•	•	•	•	•	•	•	•	•	•
	5	•	•	•	•	•	•	•	•	•	•	•	•	•	•	•	•	•	•	•	•	•	•	•	•	•
7.5	•	•	•	•	•	•	•	•	•	•	•	•	•	•	•	•	•	•	•	•	•	•	•	•	•	
10	•	•	•	•	•	•	•	•	•	•	•	•	•	•	•	•	•	•	•	•	•	•	•	•	•	

C-Face Quill Reducer

Available Motor Frame Sizes

Frame Size	Ratio (:1)	Standard Bore* (in.)	Output Torque at 1750 RPM Input (in-lb)	Available Motor Frames
1120	5 ~ 60	3/4	41 ~ 246	56C
1220	5 ~ 60	1	82.1 ~ 492	56C
1230	80 ~ 120	1	328 ~ 492	56C
1320	5 ~ 30	1-1/4	164 ~ 985	56C ~ 143TC
	40 ~ 60		657 ~ 985	56C
1330	80~240	1-1/4	657 ~ 918	56C
1340	300 ~ 720	1-1/4	1160 ~ 1730	56C
1420	5 ~ 30	1-3/8	316 ~ 1900	145TC
	40 ~ 60		1310 ~ 1970	56C ~ 143TC
1430	80 ~ 240	1-3/8	1310 ~ 1840	56C
1440	300 ~ 1440	1-3/8	2320 ~ 3450	56C
1530	80 ~ 120	1-1/2	2630 ~ 3940	56C ~ 143TC
	150 ~ 240		2230 ~ 3670	56C
1531	40 ~ 80	1-1/2	2530 ~ 5060	145TC
1540	300 ~ 1440	1-1/2	4640 ~ 6480	56C
1630	12 ~ 120	2	903 ~ 11000	143TC ~ 182TC
1631	150 ~ 240	2	13100	56C ~ 182TC
1632	12 ~ 60	2	1520 ~ 9180	184TC
1640	300 ~ 720	2	9270 ~ 13100	56C ~ 143TC
	900 ~ 1440		13100	56C

*Optional bore sizes are available. Popular keyed hollow bore sizes available from stock: 1 3/16", 1 7/16", 1 15/16", 2 3/16".

Headquarters & Manufacturing

4200 Holland Boulevard
Chesapeake, VA 23323
Tel: 757-485-3355
Fax: 757-485-7490
E-mail: customercare@suminet.com
www.smcydc.com

North & South America

USA: 757-485-3355
Canada: Toronto 905-469-1050
Mexico: Monterrey 011-52-81-8144-5130
Brazil: São Paulo 55-11-4403-9292
Chile: Santiago 011-562-786-6963
Argentina: Buenos Aires 011-54-11-4765-5332
For worldwide location details: www.sumitomodrive.com

World Headquarters - Japan

Sumitomo Heavy Industries, Ltd.
Power Transmission & Controls Group
ThinkPark Tower, 1-1, Osaki 2-chome,
Shinagawa-ku, Tokyo 141-6025 Japan
Tel: 011-813-6737-2511 • Fax: 011-813-6866-5160