

Hansen Transmissions commits to be a pioneering innovator. The production of high performance gear units stems from an interactive partnership with our clients, the end users and the actively engaged manpower of our global enterprise. Embracing design, manufacturing and customer services, Hansen Transmissions has grown into a world leader in its field. Today, we set standards for both product and working environment, inciting a knowing environment to seize all new and inspiring technologies.

See our worldwide sales & service network at www.HansenNA.com



www.HansenNA.com
info@HansenNA.com

Phone: 1-540-213-2442
Fax: 1-540-213-2222
E-mail: info@HansenNA.com

Hansen Transmissions Inc.
Mill Place Commerce Park
33 Lakeview Court
P.O. Box 320
Verona, VA 24482

HNAZ / 0707

NEW

P4 UniMineR Z Series getting the job done



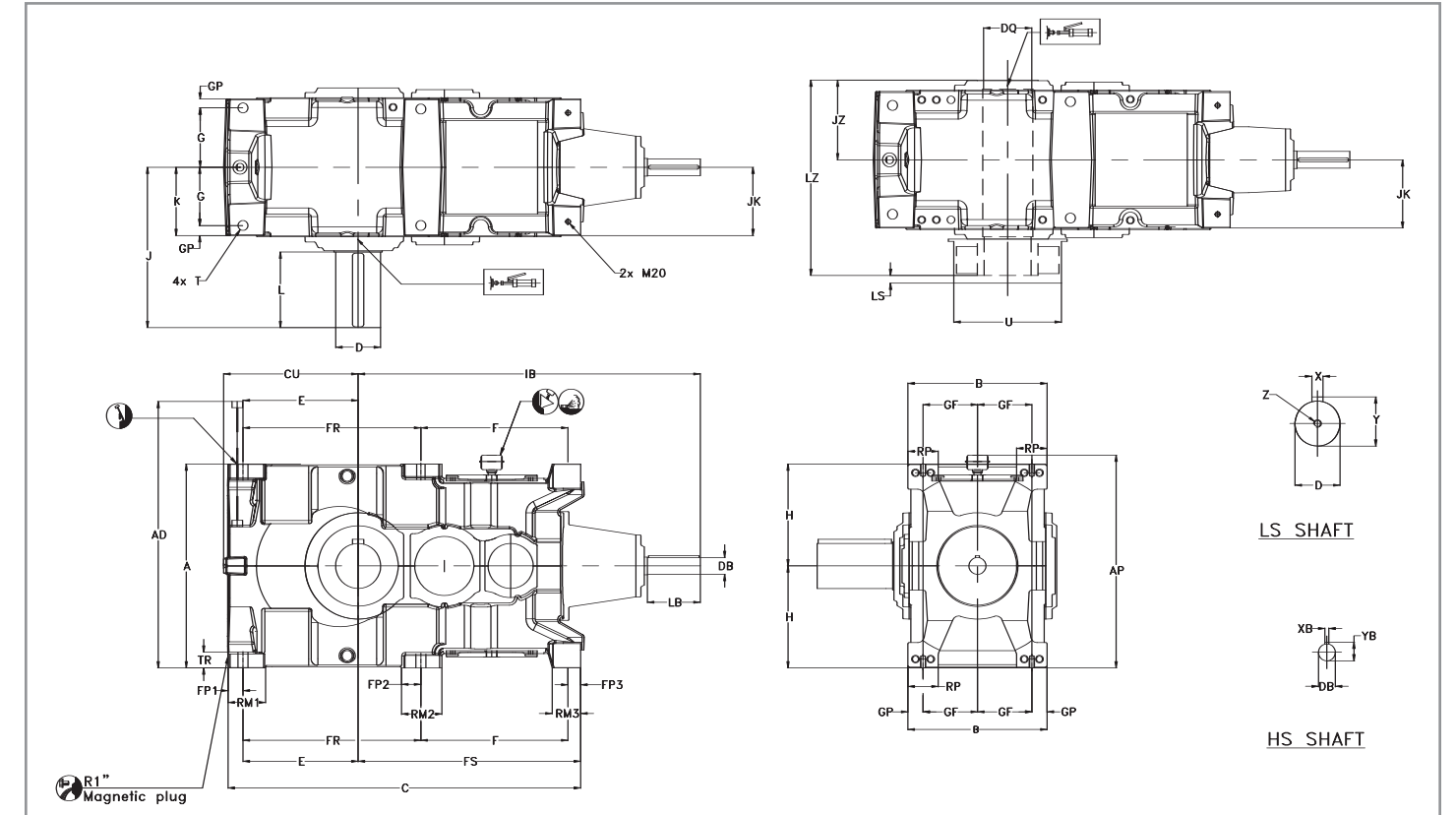
P4 UniMineR Z Series



The Hansen P4 UniMineR Z Series is specifically designed for the mining industry. The housing design is robust for the application and offers versatility for different mounting positions. With a 'flippable' housing and horizontal split line, the UniMineR Z series is the ideal solution for alignment-free drive packages.

	Z					H					R					G or H	
	Gear Unit		Horizontal LSS			Right Angle Shafts					Case Size						
	ZHRG					ZHRH											
	Nominal Ratio	Nominal Speed n1	n2	P hp	T 1000 lbf.in	Exact Ratio	Nominal Ratio	Nominal Speed n1	n2	P hp	T 1000 lbf.in	Exact Ratio					
Double Reduction	8	1750	220	1980	568	7.948	8	1750	220	2330	679	8.082					
	9	1750	195	1740	549	8.747	9	1750	195	2200	705	8.905					
	10	1750	175	1530	570	10.359	10	1750	175	1980	717	10.027					
	11.2	1750	155	1350	556	11.400	11.2	1750	155	1800	715	11.049					
	12.5	1750	140	1200	557	12.904	12.5	1750	140	1610	757	13.069					
	14	1750	125	1090	557	14.201	14	1750	125	1390	723	14.400					
Triple Reduction	16	1750	110	885	509	15.960	16	1750	110	1200	702	16.279					
	18	1750	97	885	560	17.563	18	1750	97	1120	725	17.938					
	20	1750	88	920	650	19.619	20	1750	88	885	642	20.134					
	22.4	1750	78	802	652	22.572	22.4	1750	78	885	707	22.185					
	25	1750	70	736	654	24.664	25	1750	70	925	835	25.069					
	28	1750	63	641	655	28.376	28	1750	63	849	882	28.842					
	31.5	1750	56	591	657	30.830	31.5	1750	56	779	884	31.516					
	35.5	1750	49	515	658	35.471	35.5	1750	49	679	886	36.259					
	40	1750	44	473	659	38.641	40	1750	44	626	889	39.394					
	45	1750	39	413	661	44.456	45	1750	39	546	891	45.324					
	50	1750	35	373	662	49.329	50	1750	35	502	892	49.374					
56	1750	31	325	663	56.753	56	1750	31	437	894	56.805						
63	1750	28	257	595	64.188	63	1750	28	389	883	63.031						
71	1750	25	227	577	70.635	71	1750	25	343	897	72.518						

P (hp): Mechanical Power Ratings
 T (1000 lbf.in): Torque Ratings at low speed shaft



TYPE	A	AD	AP	B	C	CU	E	F	FP1	FP2	FP3	FR	FS	G
ZHRG2	31.72	42.25	33.09	21.65	54.88	20.90	17.91	22.91	2.33	2.99	1.97	27.68	35.33	8.86
ZHRH2	31.72	42.25	33.09	21.65	54.88	18.09	15.08	22.91	2.33	2.99	1.97	27.68	38.16	8.86
ZHRG3	31.72	42.25	33.09	21.65	54.88	20.92	17.91	22.91	2.33	2.99	1.97	27.68	34.64	8.86
ZHRH3	31.72	42.25	33.09	21.65	54.88	18.09	15.08	22.91	2.33	2.99	1.97	27.68	38.16	8.86

TYPE	GF	GP	H	IB	J	JK	JZ	K	RM1	RM2	RM3	RP	T	TR
ZHRG2	8.46	2.36	15.86	48.86	24.94	10.63	12.40	10.63	5.86	6.26	4.45	4.72	1.65	1.95
ZHRH2	8.46	2.36	15.86	51.69	26.94	10.63	12.60	10.63	5.86	6.26	4.45	4.72	1.65	1.95
ZHRG3	8.46	2.36	15.86	53.27	24.94	10.63	12.40	10.63	5.86	6.26	4.45	4.72	1.65	1.95
ZHRH3	8.46	2.36	15.86	56.10	26.94	10.63	12.60	10.63	5.86	6.26	4.45	4.72	1.65	1.95

TYPE	SOLID LOW SPEED SHAFT					HOLLOW LOW SPEED SHAFT				HIGH SPEED SHAFT			WEIGHT	
	D	L	X	Y	Z - UNC	DQ	LS	LZ	U MAX	DB	LB	XB		YB
ZHRG2	7.000	11.750	1.750	7.639	1.250	7.480	1.18	30.39	16.73	3.875	8.27	1.000	4.309	3870 lbs
ZHRH2	7.500	13.750	1.750	8.146	1.250	8.268	1.57	31.26	17.72	3.875	8.27	1.000	4.309	5300 lbs
ZHRG3	7.000	11.750	1.750	7.639	1.250	7.480	1.18	30.39	16.73	2.626	8.27	0.625	2.900	3930 lbs
ZHRH3	7.500	13.750	1.750	8.146	1.250	8.268	1.57	31.26	17.72	2.625	8.27	0.625	2.900	5360 lbs

COMPLETE AND POWERFUL SOLUTIONS FOR THE BULK MATERIAL HANDLING INDUSTRY

Hansen Transmissions has a long history of solid partnerships with suppliers and end-users in the mining and material handling industry. Thousands of drive packages for conveyors and other associated equipment are installed worldwide, and the versatility and durability of these units is well documented.

Our staff visits customers to find out what is expected from our products, asking for recommendations leading to the proper product selection, the required user-friendly features, and future product developments we should consider.

The result is a complete range of drive products suited for the rigorous demands of bulk material handling. Thanks to these partnerships with world class suppliers, Hansen Transmissions provides fully integrated drive solutions and services from a single source.

