

# Cyclo<sup>®</sup> BBB Output Flange Dimensions vs. IEC B5 Flange

## PURPOSE

This document is intended to provide a dimensional comparison between Sumitomo's existing line of Cyclo<sup>®</sup> Bevel Buddybox output flanges and corresponding SEW Eurodrive KF output flanges.

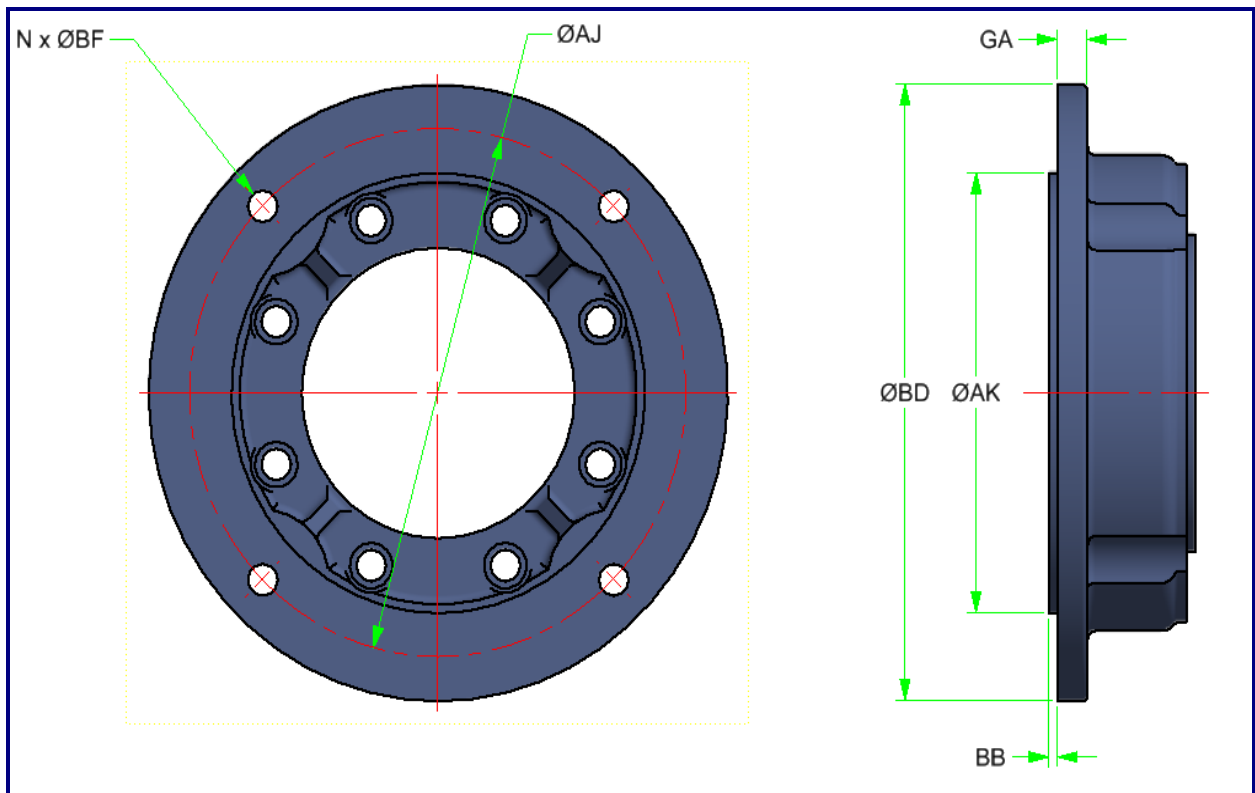
The information contained within may be used as a guide to determine if a standard Bevel Buddybox output flange is dimensionally interchangeable with those mounting dimensions related to the IEC B5 flange.

## SCOPE

4-Series BBB: This document applies to all unit sizes (5Z - 5C)

5-Series BBB: This document applies to all unit sizes (4A - 4F)

## DIMENSIONAL COMPARISON



# Cyclo® BBB Output Flange Dimensions vs. IEC B5 Flange *(continued)*

## DIMENSIONAL COMPARISON *(continued)*

| BBB Unit Size | IEC B5 Flange Size     |                  | Dimensions (mm) |      |      |                 |                 |   |       |
|---------------|------------------------|------------------|-----------------|------|------|-----------------|-----------------|---|-------|
|               | Sumitomo Flange Number | SEW KF Unit Size | ØAJ             | ØBD  | ØAK  | GA <sup>1</sup> | BB <sup>2</sup> | N | ØBF   |
|               |                        |                  |                 |      |      |                 |                 |   |       |
| 5Z            | IEC B5 215             |                  | Ø215            | Ø250 | Ø180 | 15              | 4               | 4 | Ø14.5 |
|               | CK849LG                |                  |                 |      |      |                 |                 |   | Ø13.5 |
|               | KF67                   |                  |                 |      |      |                 |                 |   | Ø13.5 |
| 5A            | IEC B5 215             |                  | Ø215            | Ø250 | Ø180 | 15              | 4               | 4 | Ø14.5 |
|               | AP8923G                |                  |                 |      |      |                 |                 |   | Ø14   |
|               | KF67                   |                  |                 |      |      |                 |                 |   | Ø13.5 |
| 5B            | IEC B5 265             |                  | Ø265            | Ø300 | Ø230 | 16              | 4               | 4 | Ø14.5 |
|               | AP8924G                |                  |                 |      |      |                 |                 |   | Ø14   |
|               | KF77                   |                  |                 |      |      |                 |                 |   | Ø13.5 |
| 5C            | IEC B5 300             |                  | Ø300            | Ø350 | Ø250 | 18              | 5               | 4 | Ø18.5 |
|               | AP8925G                |                  |                 |      |      |                 |                 |   | Ø18   |
|               | KF87                   |                  |                 |      |      |                 |                 |   | Ø17.5 |
| 4A            | IEC B5 215             |                  | Ø215            | Ø250 | Ø180 | 15              | 4               | 4 | Ø14.5 |
|               | AP1392G                |                  |                 |      |      |                 |                 |   | Ø14   |
|               | KF67                   |                  |                 |      |      |                 |                 |   | Ø13.5 |
| 4B            | IEC B5 265             |                  | Ø265            | Ø300 | Ø230 | 16              | 4               | 4 | Ø14.5 |
|               | AP9007G                |                  |                 |      |      |                 |                 |   | Ø14   |
|               | KF77                   |                  |                 |      |      |                 |                 |   | Ø13.5 |
| 4C            | IEC B5 300             |                  | Ø300            | Ø350 | Ø250 | 18              | 5               | 4 | Ø18.5 |
|               | AP1394G                |                  |                 |      |      |                 |                 |   | Ø18   |
|               | KF87                   |                  |                 |      |      |                 |                 |   | Ø17.5 |
| 4D            | IEC B5 400             |                  | Ø400            | Ø450 | Ø350 | 22              | 5               | 8 | Ø18.5 |
|               | AP1395G                |                  |                 |      |      |                 |                 |   | Ø18   |
|               | KF97, KF107            |                  |                 |      |      |                 |                 |   | Ø17.5 |
| 4E            | IEC B5 400             |                  | Ø400            | Ø450 | Ø350 | 22              | 5               | 8 | Ø18.5 |
|               | AN7665G                |                  |                 |      |      |                 |                 |   | Ø18   |
|               | KF97, KF107            |                  |                 |      |      |                 |                 |   | Ø17.5 |
| 4F            | IEC B5 600             |                  | Ø600            | Ø660 | Ø550 | 24              | 5               | 8 | Ø24   |
|               | AP9267G                |                  |                 |      |      |                 |                 |   | Ø22   |
|               | KF157                  |                  |                 |      |      |                 |                 |   | Ø22   |

## REFERENCES

IEC 72-1 Dimensions and Output Series for Rotating Electrical Machines. Part 1  
Dodge Quantis Engineering Catalog RHB Sizes 38-168  
SEW Eurodrive product catalog: Constant Speed Drives - K Series

<sup>1</sup> IEC documentation does not specify flange thickness.

<sup>2</sup> IEC documentation does not specify width of male mounting boss