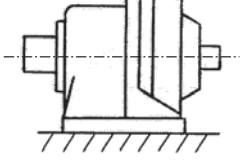
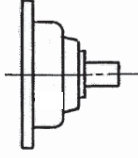
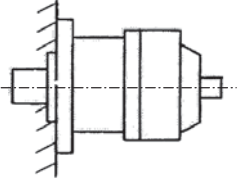
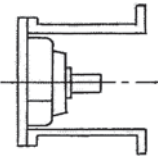
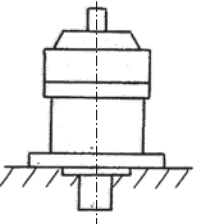
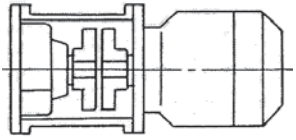
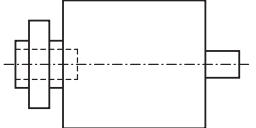
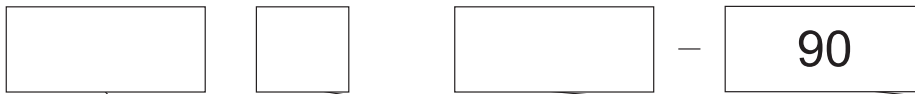
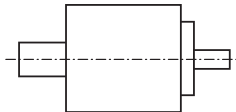
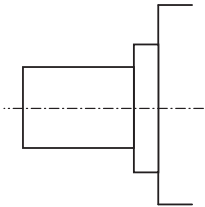
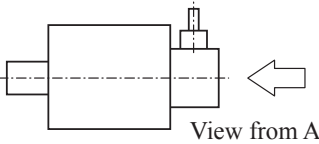
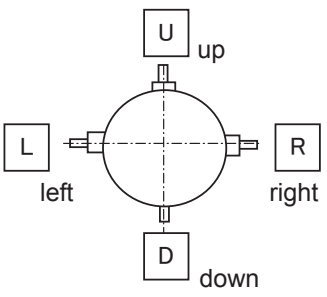
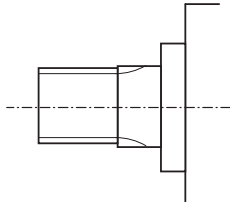
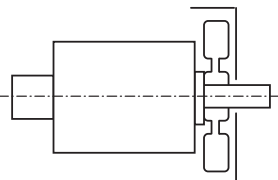
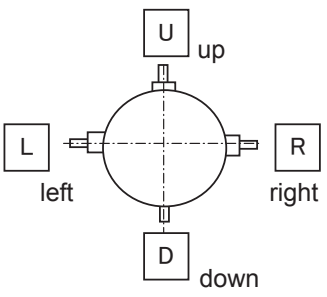
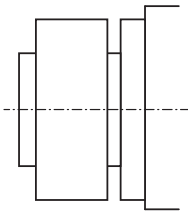
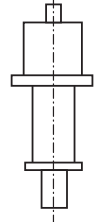


■ Nomenclature



| Series | Shaft Direction and Mounting Style | Connection for Motor | Size | |
|---|--|--|---|------------|
| | | | | Torque kNm |
| D DP 1000 Series Planetary Gear Drive | HG Horizontal  | (Blank) Solid Shaft  | 1010 | 0.46 |
| | | | 1020 | 0.69 |
| | | | 1030 | 1.0 |
| | | | 1040 | 1.6 |
| | | | 1050 | 3.2 |
| | | | 1060 | 5.5 |
| | | | 1070 | 8.6 |
| | | | 1080 | 13.6 |
| | | | 1090 | 15.9 |
| | | | 1100 | 22.6 |
| | HF Horizontal Flange  | J Motor Adaptor  | 1110 | 29.4 |
| | | | 1120 | 39.2 |
| | | | 1130 | 53.0 |
| | | | 1140 | 72.6 |
| | | | 1150 | 95.2 |
| | | | 1160 | 128 |
| | | | 1170 | 157 |
| | | | 1180 | 186 |
| | | | 1190 | 275 |
| | | | 1200 | 402 |
| VF Vertical Flange  | JM Motor Adaptor + Motor  | 1210 | 549 | |
| | | 1220 | 736 | |
| HY Shaft mounting (Option)  | | | | |
| | | | Remarks: Above figures of Torque show the transmission power of low speed shaft. | |



| Direction of High Speed Shaft | Low Speed Shaft | Option | Nominal Ratio |
|--|---|---|--|
| <p>(Blank) Inline</p>  | <p>(Blank) Solid Shaft Key type</p>  | <p>(Blank) Standard Specification</p> | <p>5 9 16 18 20 22.4 25 28 31.5 35.5</p> |
| <p>G※ Right angle (Option)</p>  <p>View from A</p> <p>※Following Direction code will be added. Direction code (View from A)</p>  <p>U up D down L left R right</p> <p>※"GR" will apply to VF type in spite of Direction code.</p> | <p>P Spline (Option)</p>  | <p>F Cooling Fan (Option)</p>  | <p>40 45 50 56 63 71 80 90 100 112</p> |
| <p>※Following Direction code will be added. Direction code (View from A)</p>  <p>U up D down L left R right</p> <p>※"GR" will apply to VF type in spite of Direction code.</p> | <p>T Hollow Shaft Shrink Disk type (Option)</p>  | <p>R Radial Case (Option)</p>  | <p>125 140 160 180 200 224 250 280 315 355 400 450 500 560 630 710 800 900 1000 1120 1250 1400</p> |