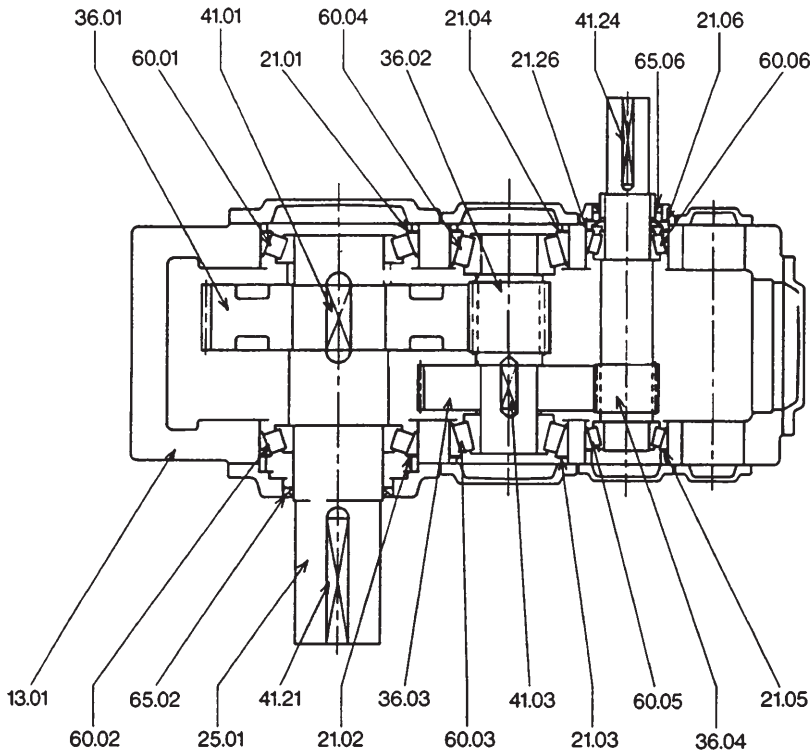


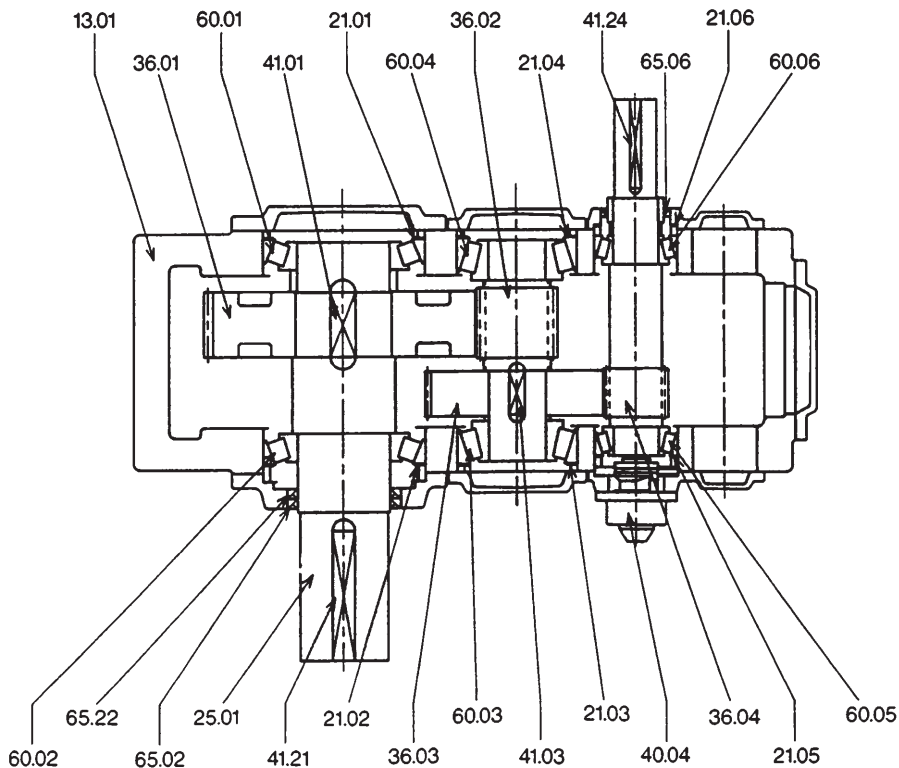
Construction Drawings

**Fig. 1 – Parallel Shaft
Horizontal – Double Reduction**

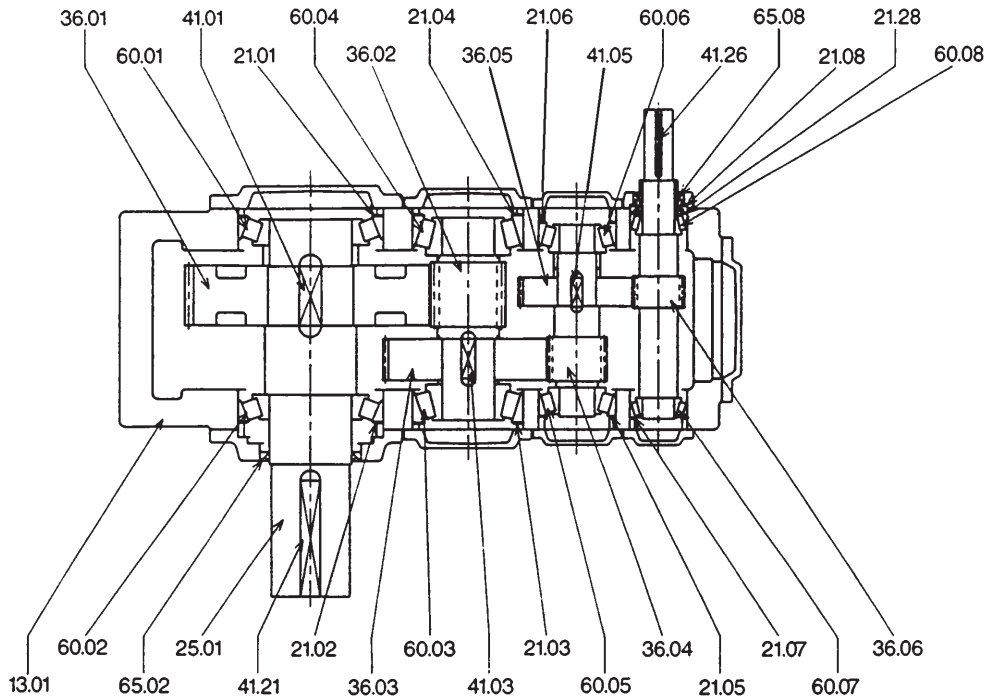


| Ref. No. | Part Name |
|----------|----------------------|
| 13.01 | Housing |
| 21.01 | Shim |
| 21.02 | Shim |
| 21.03 | Shim |
| 21.04 | Shim |
| 21.05 | Shim |
| 21.06 | Shim |
| 21.26 | Shim |
| 25.01 | Low Speed Shaft |
| 36.01 | Helical Gear |
| 36.02 | Helical Pinion Shaft |
| 36.03 | Helical Gear |
| 36.04 | Helical Pinion Shaft |
| 40.04 | Oil Pump |
| 41.01 | Key |
| 41.03 | Key |
| 41.21 | Key |
| 41.24 | Key |
| 60.01 | Bearing |
| 60.02 | Bearing |
| 60.03 | Bearing |
| 60.04 | Bearing |
| 60.05 | Bearing |
| 60.06 | Bearing |
| 65.02 | Oil Seal |
| 65.06 | Oil Seal |
| 65.22 | Oil Seal |

**Fig. 2 – Parallel Shaft
Vertical – Double Reduction**

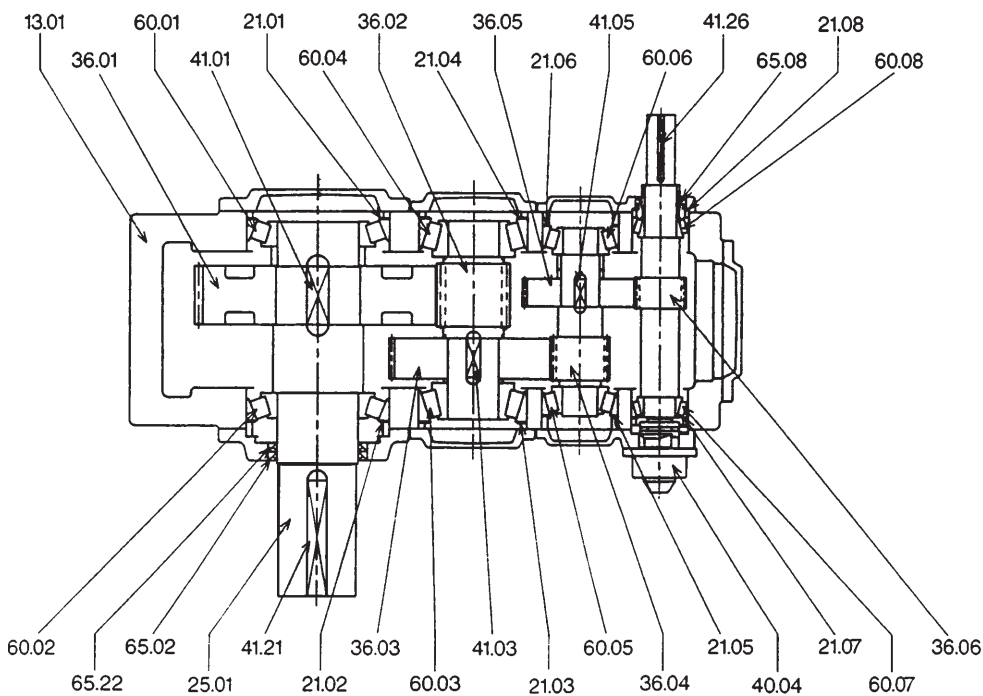


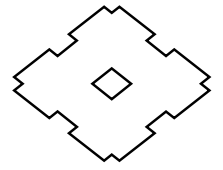
**Fig. 3 – Parallel Shaft
Horizontal – Triple Reduction**



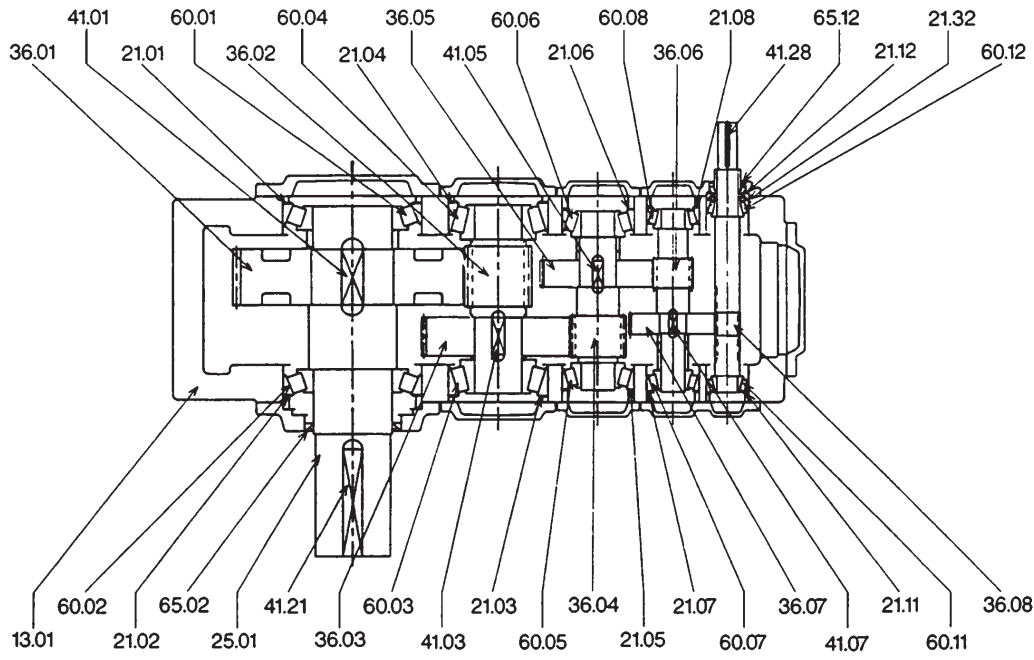
| Ref. No. | Part Name |
|----------|----------------------|
| 13.01 | Housing |
| 21.01 | Shim |
| 21.02 | Shim |
| 21.03 | Shim |
| 21.04 | Shim |
| 21.05 | Shim |
| 21.06 | Shim |
| 21.07 | Shim |
| 21.08 | Shim |
| 21.28 | Shim |
| 25.01 | Low Speed Shaft |
| 36.01 | Helical Gear |
| 36.02 | Helical Pinion Shaft |
| 36.03 | Helical Gear |
| 36.04 | Helical Pinion Shaft |
| 36.05 | Helical Gear |
| 36.06 | Helical Pinion Shaft |
| 40.04 | Oil Pump |
| 41.01 | Key |
| 41.03 | Key |
| 41.05 | Key |
| 41.21 | Key |
| 41.26 | Key |
| 60.01 | Bearing |
| 60.02 | Bearing |
| 60.03 | Bearing |
| 60.04 | Bearing |
| 60.05 | Bearing |
| 60.06 | Bearing |
| 60.07 | Bearing |
| 60.08 | Bearing |
| 65.02 | Oil Seal |
| 65.08 | Oil Seal |
| 65.22 | Oil Seal |

**Fig. 4 – Parallel Shaft
Vertical – Triple Reduction**



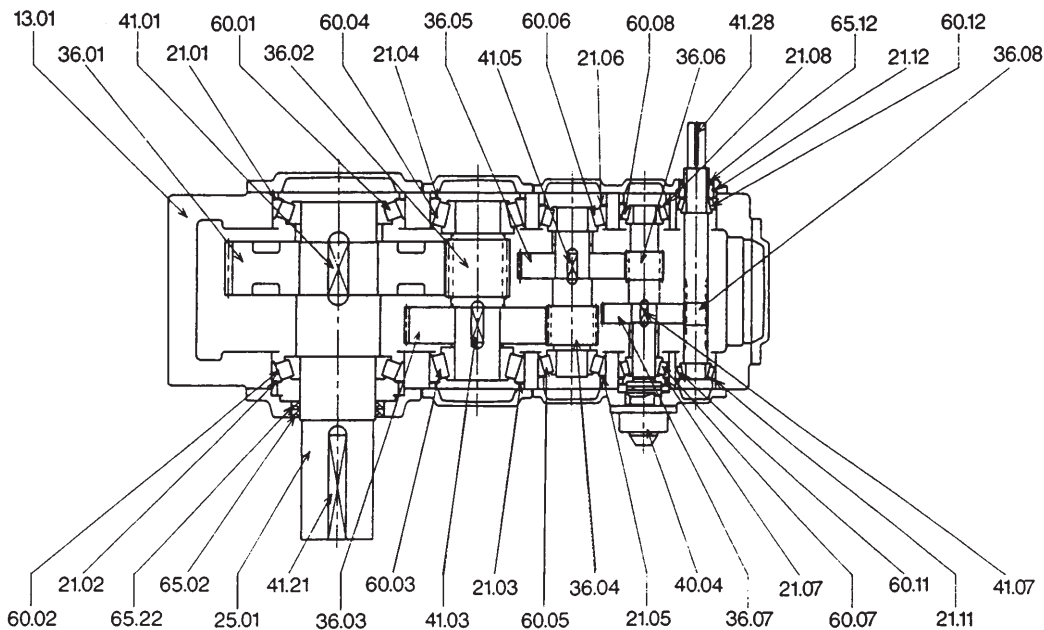


**Fig. 5 – Parallel Shaft
Horizontal – Quadruple Reduction**

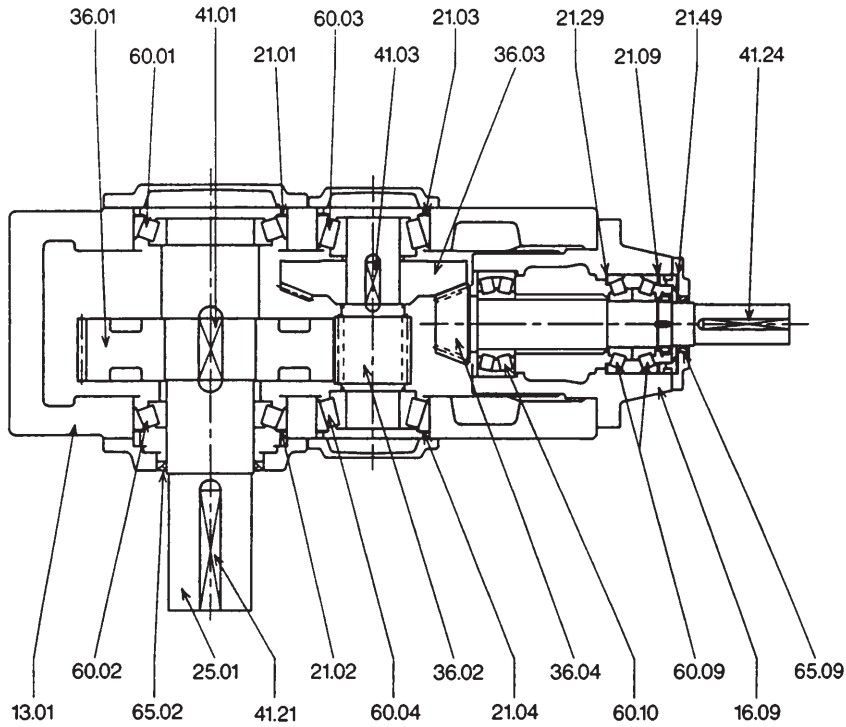


| Ref. No. | Part Name |
|----------|----------------------|
| 13.01 | Housing |
| 21.01 | Shim |
| 21.02 | Shim |
| 21.03 | Shim |
| 21.04 | Shim |
| 21.05 | Shim |
| 21.06 | Shim |
| 21.07 | Shim |
| 21.08 | Shim |
| 21.11 | Shim |
| 21.12 | Shim |
| 21.32 | Shim |
| 25.01 | Low Speed Shaft |
| 36.01 | Helical Gear |
| 36.02 | Helical Pinion Shaft |
| 36.03 | Helical Gear |
| 36.04 | Helical Pinion Shaft |
| 36.05 | Helical Gear |
| 36.06 | Helical Pinion Shaft |
| 36.07 | Helical Gear |
| 36.08 | Helical Pinion Shaft |
| 40.04 | Oil Pump |
| 41.01 | Key |
| 41.03 | Key |
| 41.05 | Key |
| 41.07 | Key |
| 41.21 | Key |
| 41.28 | Key |
| 60.01 | Bearing |
| 60.02 | Bearing |
| 60.03 | Bearing |
| 60.04 | Bearing |
| 60.05 | Bearing |
| 60.06 | Bearing |
| 60.07 | Bearing |
| 60.08 | Bearing |
| 60.11 | Bearing |
| 60.12 | Bearing |
| 65.02 | Oil Seal |
| 65.12 | Oil Seal |
| 65.22 | Oil Seal |

**Fig. 6 – Parallel Shaft
Vertical – Quadruple Reduction**

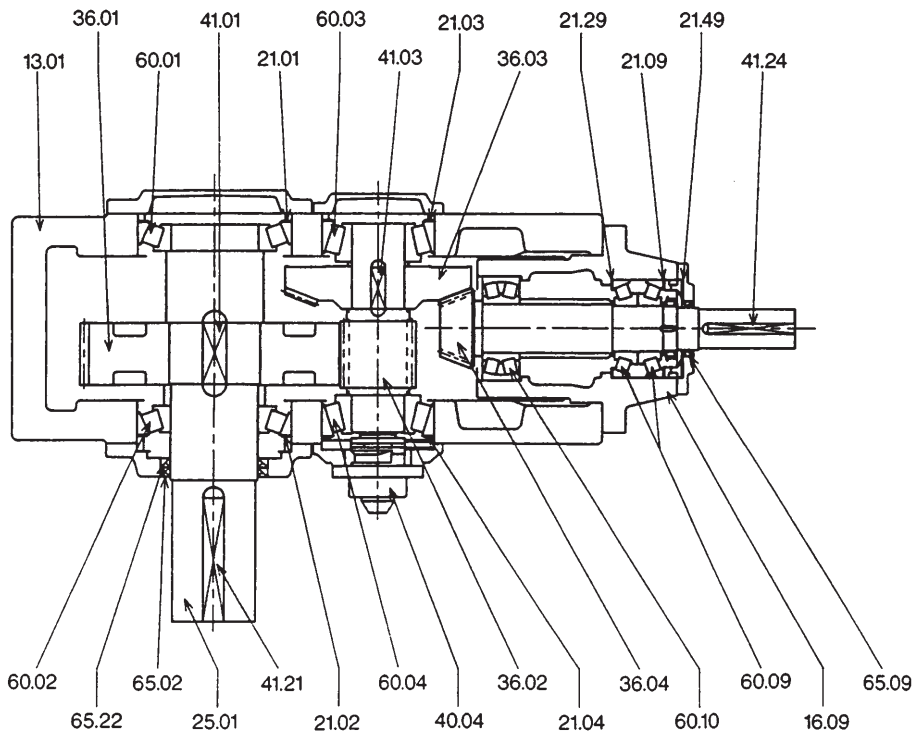


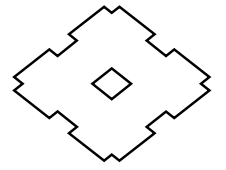
**Fig. 7 – Right Angle Shaft
Horizontal – Double Reduction**



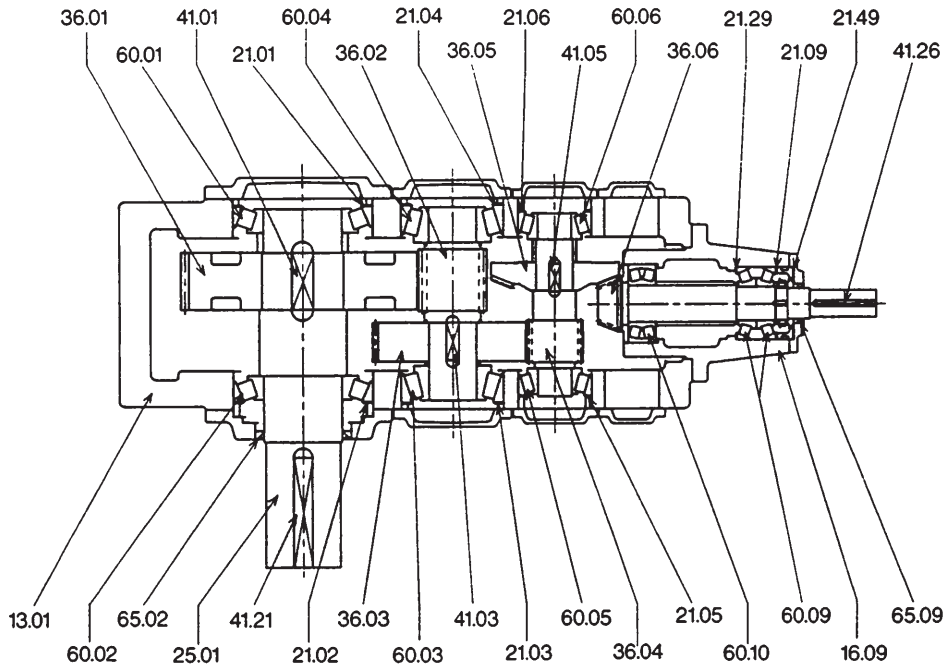
| Ref. No. | Part Name |
|----------|----------------------|
| 13.01 | Housing |
| 16.09 | Bearing Housing |
| 21.01 | Shim |
| 21.02 | Shim |
| 21.03 | Shim |
| 21.04 | Shim |
| 21.09 | Shim |
| 21.29 | Shim |
| 21.49 | Shim |
| 25.01 | Low Speed Shaft |
| 36.01 | Helical Gear |
| 36.02 | Helical Pinion Shaft |
| 36.03 | Bevel Gear |
| 36.04 | Bevel Pinion Shaft |
| 40.04 | Oil Pump |
| 41.01 | Key |
| 41.03 | Key |
| 41.21 | Key |
| 41.24 | Key |
| 60.01 | Bearing |
| 60.02 | Bearing |
| 60.03 | Bearing |
| 60.04 | Bearing |
| 60.09 | Bearing |
| 60.10 | Bearing |
| 65.02 | Oil Seal |
| 65.09 | Oil Seal |
| 65.22 | Oil Seal |

**Fig. 8 – Right Angle Shaft
Vertical – Double Reduction**



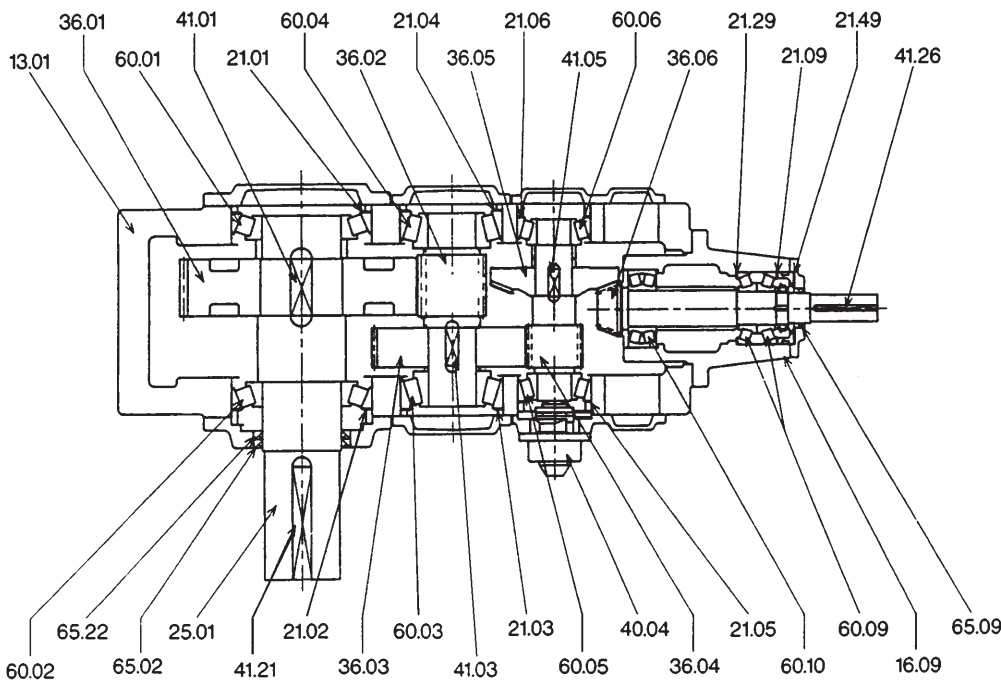


**Fig. 9 – Right Angle Shaft
Horizontal – Triple Reduction**

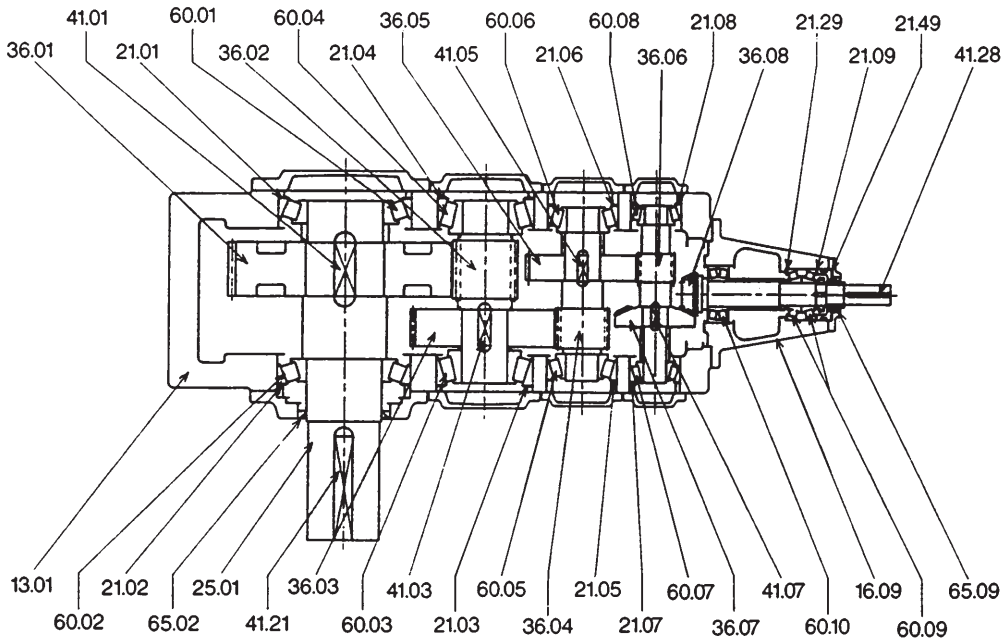


| Ref. No. | Part Name |
|----------|----------------------|
| 13.01 | Housing |
| 16.09 | Bearing Housing |
| 21.01 | Shim |
| 21.02 | Shim |
| 21.03 | Shim |
| 21.04 | Shim |
| 21.05 | Shim |
| 21.06 | Shim |
| 21.09 | Shim |
| 21.29 | Shim |
| 21.49 | Shim |
| 25.01 | Low Speed Shaft |
| 36.01 | Helical Gear |
| 36.02 | Helical Pinion Shaft |
| 36.03 | Helical Gear |
| 36.04 | Helical Pinion Shaft |
| 36.05 | Bevel Gear |
| 36.06 | Bevel Pinion Shaft |
| 40.04 | Oil Pump |
| 41.01 | Key |
| 41.03 | Key |
| 41.05 | Key |
| 41.21 | Key |
| 41.26 | Key |
| 60.01 | Bearing |
| 60.02 | Bearing |
| 60.03 | Bearing |
| 60.04 | Bearing |
| 60.05 | Bearing |
| 60.06 | Bearing |
| 60.09 | Bearing |
| 60.10 | Bearing |
| 65.02 | Oil Seal |
| 65.09 | Oil Seal |
| 65.22 | Oil Seal |

**Fig. 10 – Right Angle Shaft
Vertical – Triple Reduction**



**Fig. 11 – Right Angle Shaft
Horizontal – Quadruple Reduction**



| Ref. No. | Part Name |
|----------|----------------------|
| 13.01 | Housing |
| 16.09 | Bearing Housing |
| 21.01 | Shim |
| 21.02 | Shim |
| 21.03 | Shim |
| 21.04 | Shim |
| 21.05 | Shim |
| 21.06 | Shim |
| 21.07 | Shim |
| 21.08 | Shim |
| 21.09 | Shim |
| 21.29 | Shim |
| 21.49 | Shim |
| 25.01 | Low Speed Shaft |
| 36.01 | Helical Gear |
| 36.02 | Helical Pinion Shaft |
| 36.03 | Helical Gear |
| 36.04 | Helical Pinion Shaft |
| 36.05 | Helical Gear |
| 36.06 | Helical Pinion Shaft |
| 36.07 | Bevel Gear |
| 36.08 | Bevel Pinion Shaft |
| 40.04 | Oil Pump |
| 41.01 | Key |
| 41.03 | Key |
| 41.05 | Key |
| 41.07 | Key |
| 41.21 | Key |
| 41.28 | Key |
| 60.01 | Bearing |
| 60.02 | Bearing |
| 60.03 | Bearing |
| 60.04 | Bearing |
| 60.05 | Bearing |
| 60.06 | Bearing |
| 60.07 | Bearing |
| 60.08 | Bearing |
| 60.09 | Bearing |
| 60.10 | Bearing |
| 65.02 | Oil Seal |
| 65.09 | Oil Seal |
| 65.22 | Oil Seal |

**Fig. 12 – Right Angle Shaft
Vertical – Quadruple Reduction**

