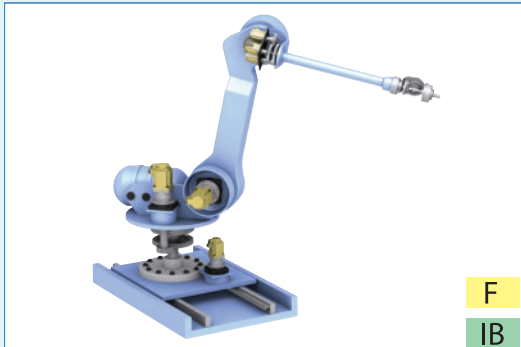


## Application Examples

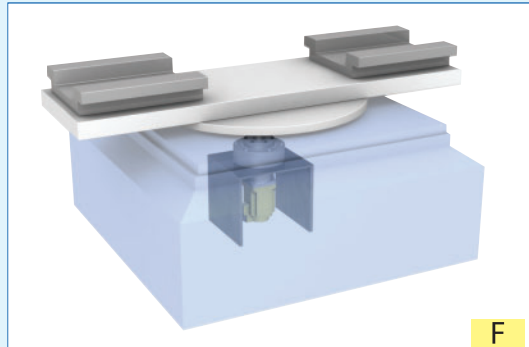
Sumitomo Drive Technologies' Motion Control Drives are available for various areas requiring precision control.

Recommended models: **F** Fine CYCLO® DRIVE  
**IB** IB Series  
**SV** CYCLO® DRIVE for servo motors



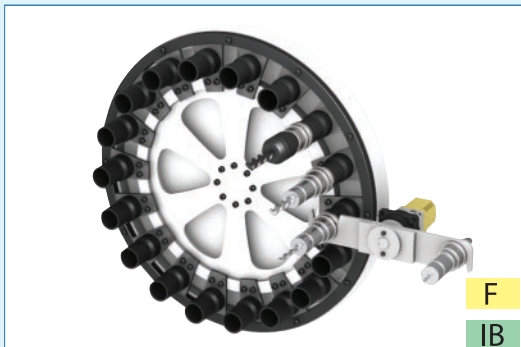
**F**  
**IB**

Industrial Robot  
Axis Drive, Robot Slider



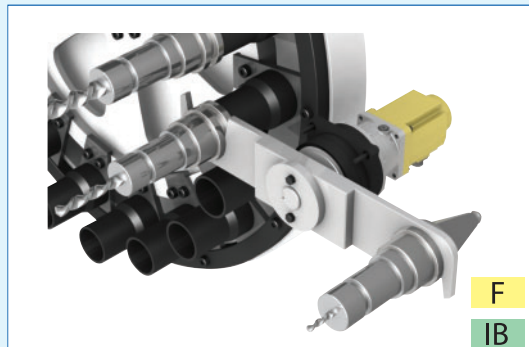
**F**

Machine Tool  
Automatic Pallet Changer Drive



**F**  
**IB**

Machine Tool  
Magazine Drive



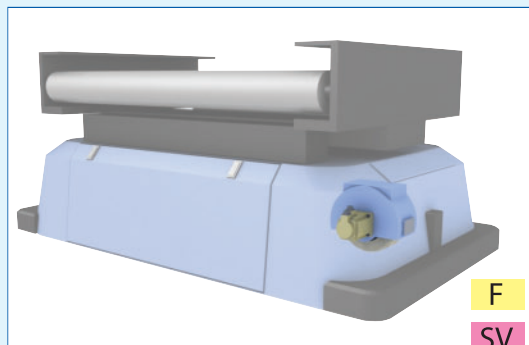
**F**  
**IB**

Machine Tool  
Automatic Tool Changer Drive



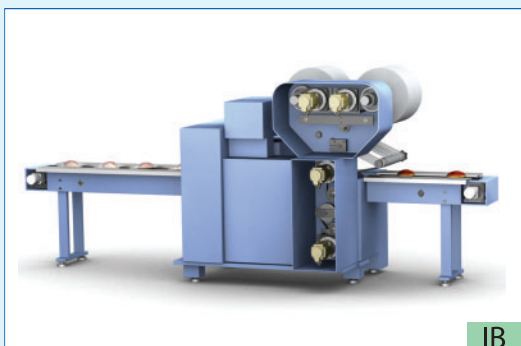
**IB**  
**SV**

Peripheral Equipment for Machine Tool  
Loader, Unloader



**F**  
**SV**

Factory Automation Equipment  
AGV Wheel Drive



**IB**

Packaging Machine



**F**  
**IB**

LCD Transfer Robot  
Axis Drive, Robot Slider