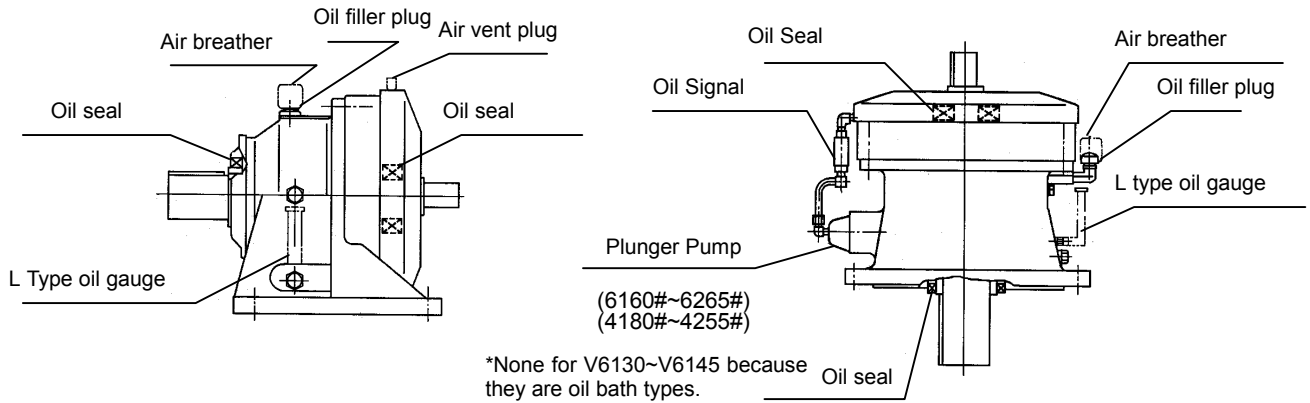


Low and High Temperature Specifications

C-6066

1/3

Allowable ambient temperature of standard Cyclo Drive is -20 to 40°C with few exceptional models (Note 2). Therefore, when using the machine in conditions exceeding this temperature, Cyclo should be modified for high or low temperature by making alteration to parts materials, lubricators used, etc. (plus, note that there are cases necessary to limit operation hours and load size). Moreover, when Cyclo is temporarily passing through the adverse temperature condition for export, no such consideration is necessary.



CHH6130~CHH6275
CHH4130~CHH4275

CVV6130~CVV6265
CVV4130~CVV4265

		Low temperature specifier (Note 1)		Standards										High temperature specifications (Note 2)					
Ambient Temperature °C		-50	-40	-30	-20	-10	0	10	20	30	40	50	60	70	80	90	100		
Parts Name																			
Oil seal		Refer to other table.																	
Eccentric body shaft bearing	6060#~6195# 4075#~4195#	Retainer material (Nylon or gun metal)																	
	6205#~6275# 4205#~4275#	Retainer material (Gun metal)																	
Oil gauge		L Type glass oil gauge (Copper pipe protection)										Vinyl chloride resin oil gauge (standard)						L Type glass Oil Gauge (Copper pipe protection)	
Air vent valve		Polyethylene air vent valve (Standard)										Air breather attached to filler opening and blind plug used for air vent valve							
Oil filler plug		Polyethylene air vent valve (standard)										Air breather							
Fan		Polypropylene fan (Standard 6160#~6195#, 4160#~4195#) *6060#~614H#, 4075#~4155# are without fan AL fan (Standard 6205 and above, 4205 and above)																	
Oil signal		Polycarbonate oil signal (standard)										Metal framed heat resistant glass oil signal							
Pressure gauge for trochoid pump (Note 2)		Discuss individually		Standard trochoid pump (-5°C~40°C)						Heat resistant type oil gauge									
Trochoid pump (Note 2)		Discuss individually		Standard trochoid pump						Discuss individually									

Unavailable

Unavailable



Low and High Temperature Specifications

C-6066

2/3

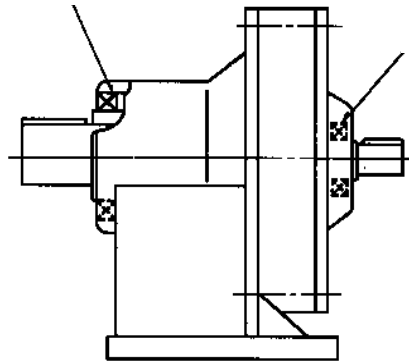
“Three-sheet” packing	Standard “three-sheet” packing (-40°C~100°C)	
Seal washer	Nitrile rubber seal washer	
Nylon spacer ring	6100#~614H# Standard nylon 46 { 6160#~6275# Standard FC } 4105#~4155# { 4160#~4275# }	
Outer cover and frame	6060#~6105# 4075#~4085#	Aluminum H outer cover and frame (V and F outer covers are FC.)
	610H#~6275# 4095#~4275#	H outer cover FCD Frame FC
Shaft bearing	FC	FCD 45 (Special)
Lubrication oil and grease (Note 3)	Beware of decrease in basic load rating of shaft bearing in high temperature range. Choose appropriate lubrication oil or grease for ambient temperature and usage condition.	

(Note 1) There may be some limitations in operation hours and load size.

(Note 2) Allowable range for forced lubrication type by trochoid pump (CW, CVVM-6275, 4270, and 4275) is -5~40°C because of its use of standard pressure gauge (-5~40°C) and trochoid pump (-10~40°C).

(Note 3) Appropriate lubrication oil and grease should be determined in coordination with ambient temperature and usage condition.

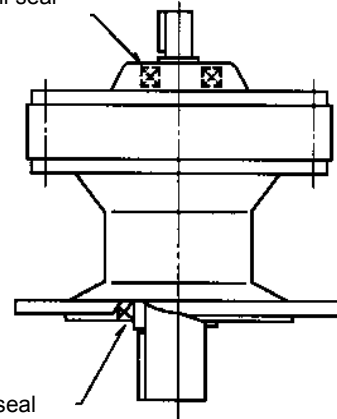
Oil seal



Oil seal

CHH6060~CHH612H
CHH4075~CHH4125

Oil seal



Oil seal

CVV6060~CVV6125
CVV4075~CVV4125



Low and High Temperature Specifications

C-6066

3/3

Standard of High and Low Temperature Specification of Oil Seal
(Cyclo, Variable Speed Cyclo, and Beier)

Ambient temperature		Cyclo Unit, variable speed Cyclo, motor for direct connection			Beier Unit and variable speed Beier
		Grease lubrication type	Oil lubrication type		
		6060#~612H# 4075#~4125#	6130#~614H# 4130#~4155#	6160# and above 4160# and above	
High-temperature specification	90	Unavailable			X
	80	Acrylic rubber	Acrylic rubber	Acrylic rubber	
	70				
	60	Nitrile rubber	Nitrile rubber	Nitrile rubber	
50					
Standard	40	Nitrile rubber	Nitrile rubber	Nitrile rubber	Nitrile rubber
	30				
	20				
	10				
Low-temp specification	0	Silicone Rubber	Silicone Rubber	Silicone Rubber	Silicone Rubber
	-10				
	-20				
	-30	Silicone Rubber	Silicone Rubber	Silicone Rubber	Silicone Rubber
	-40				
	-50	Unavailable			

Note 1) Above document is for low and high temperature specification standard regarding oil seal.

Note 2) In high temperature range, silicone rubber oil seal is not applicable because swelling will be caused by extreme-pressure additive in lubricating oil or grease.
However, there is no problem for application of straight oil.

