

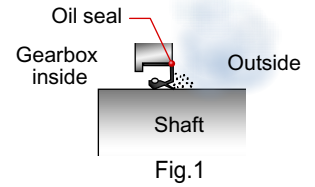
# Taconite Seal

9P1-004E

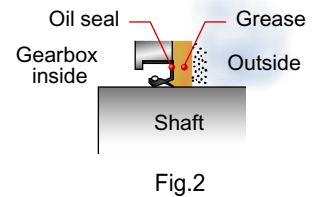
1/1

## 1. What is Taconite Seal ?

If the gearbox is operating in very dusty area, standard oil seal would be wear quickly. Mineral or other hard dust will get into oil seal lip (rubber material) area, and wear the oil seal lip. (Fig. 1)



To prevent the wear, taconite seal arrangement is useful. There is grease outside of the oil seal, and the grease will protect oil seal from dust. (Fig. 2)



In the actual taconite seal arrangement, there is "structure to hold grease", and "grease-in and grease-out structure" for refill the grease.

In very dusty environment, labyrinth type taconite seal will be applied. Labyrinth type taconite seal has labyrinth shape grease holding area, therefore dust is hard to get into grease. (Fig. 4)

## 2. PARAMAX DRIVE Taconite Seal

Two types of taconite seals are standardized for Paramax drive.

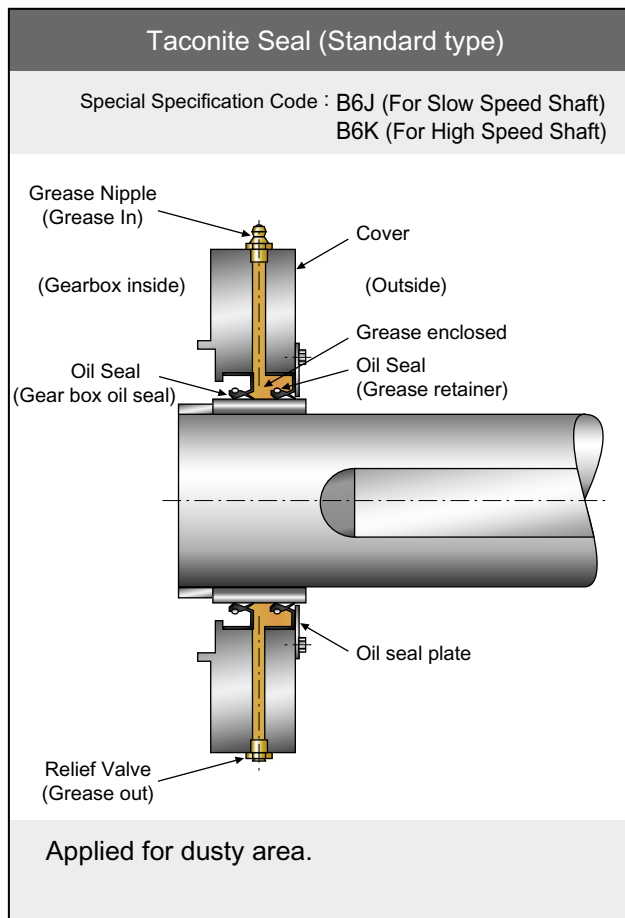


Fig.3

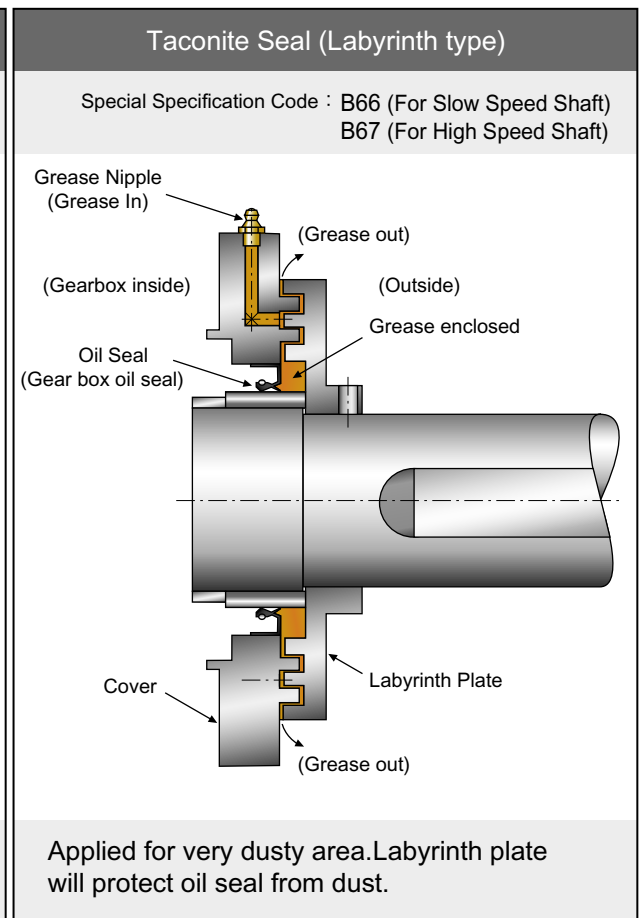


Fig.4