

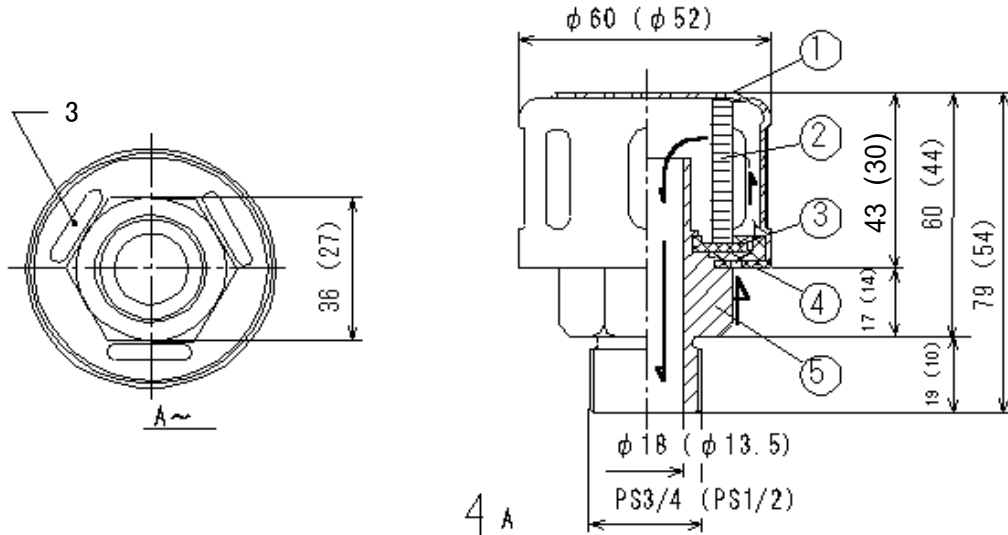
Dimensions of Air Breathers and Air Vents

C-6303

1/6

1. Construction of Air Breather

Air breathers used for CYCLO DRIVE are Type ABU-06 (PS3/4) or ABU (PS 1/2), manufactured by Nikken Kikai Kogyo.



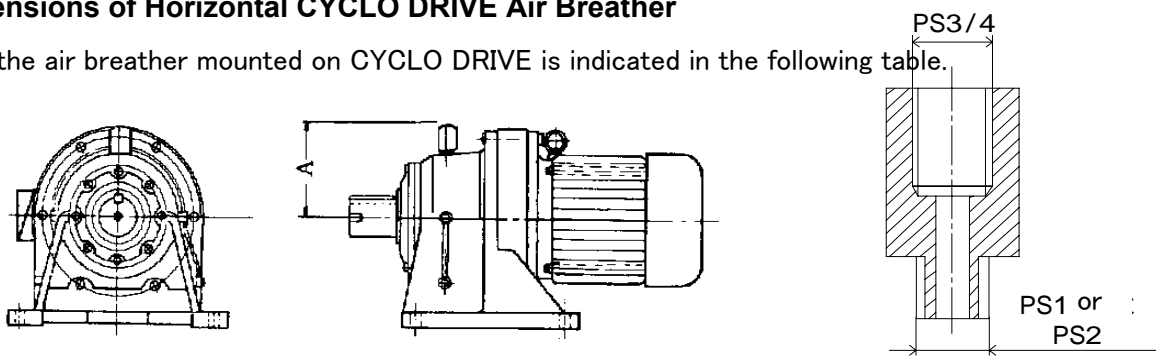
* (Dimensions) for ABU-04 (PS 1/2)

No.	Parts Name	Qty	Material	Notes
1	Cover	1	A5052P	
2	Filter	1	MICROBON	40μ
3	Step plate	1	A5052P	
4	Base plate	1	A5052P	
5	Joint	1	A5056BE	

Joint shape

2. Dimensions of Horizontal CYCLO DRIVE Air Breather

Height of the air breather mounted on CYCLO DRIVE is indicated in the following table.



Frame size	6130, 6135 6140, 6145 614H 614H 4130, 4135 4145, 4155	6160 6165 616H 4160 4165 216 86	6170 6175 4170 4175 217 87	6180 6185 4180 4185 218 88	6190 6195 4190 4195 219 89	6205 220	6215 221	6225 222	6235 223	6245 224	6255 225	6265 226	90	91	92	6275 4270, 4275 227 93
Dimension A (mm)	125	148	187	202	259	253	269	291	304	319	345	367	283	313	365	438
Joint	None		None		PS 1 x PS 3/4											PS2 x PS3/4
Type of Air Breather	ABU - 04			ABU - 06												

Dimensions of Air Breather and Air Vent

C-6303

2/6

3. Dimensions of Vertical CYCLO DRIVE with Air Breather

Air breathers are mounted as below.

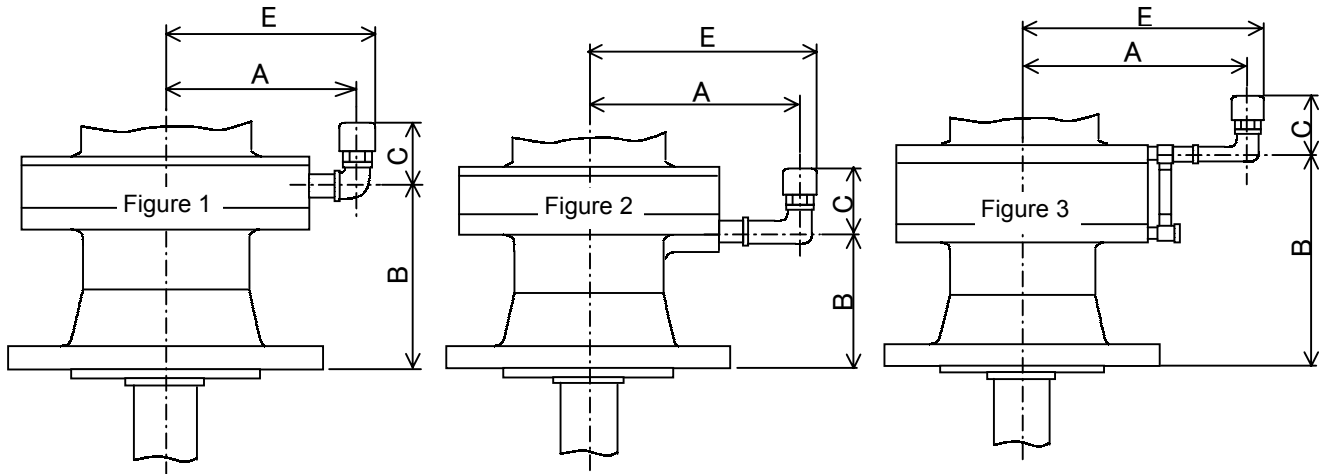


Fig.	Frame Size	A	E	B	C	Connecting Parts	Notes
1	6130, 6135, 4130, 4135, 213, 84	166	192	150.5	71	a	Mount on ring gear housing.
1	140, 6145, 4145, 4155, 214, 215, 8	166	192	150.5	71	a	"
2	6160, 6165, 4160, 4165, 216, 86	180	206	133	70	b	Mount on flanged casing
2	6170, 6175, 4170, 4175, 217, 87	244	274	163	90	c	"
2	6180, 6185, 4180, 4185, 218, 88	220	250	184	90	C1	"
2	6190, 6195, 4190, 4195, 219, 89	250	280	215	90	C1	"
2	90	326	356	260	90	c	"
2	91	332	362	215	129	d	"
2	92	400	430	300	129	d	"
2	6205, 4205, 220	293	323	196	129	d	"
2	6215, 4215, 221	311	341	212	129	d	"
2	6225, 4225, 222	332	362	235	129	d	"
2	6235, 4235, 223	350	380	246	129	d	"
2	6245, 4245, 224	349	379	267	129	e	"
3	6255, 4255, 225	484	510	502	71	f	Mount to high-speed end shield
3	6265, 4265, 226	516	542	551	71	f	"

Connecting Parts: a: Reducing nipple (1/2 x 1/4) + AT8189G (Elbo 1/2) + Air Breather ABU-04 (1/2)

b: Feeding metal (1/2) + Air breather ABU-04 (1/2)

c: male-female socket (3/4) + Oil fill cup (3/4) + Air Breather ABU-06 (3/4)

c1: Oil fill cup (3/4) + Air Breather ABU-06 (3/4)

d: Gas pipe (1) + Oil fill cup (1) + Joint (1 x 3/4) + Air Breather ABU-06 (3/4)

e: Oil fill cup (1) + Joint (1 x 3/4) + Air Breather ABU-06 (3/4)

f: Joint (1/4) + Reducing Nipple (1/4 x 1/2) + Socket (1/2) + Oil Fill Cup (1/2)

Air Breather ABU-04 (1/2)

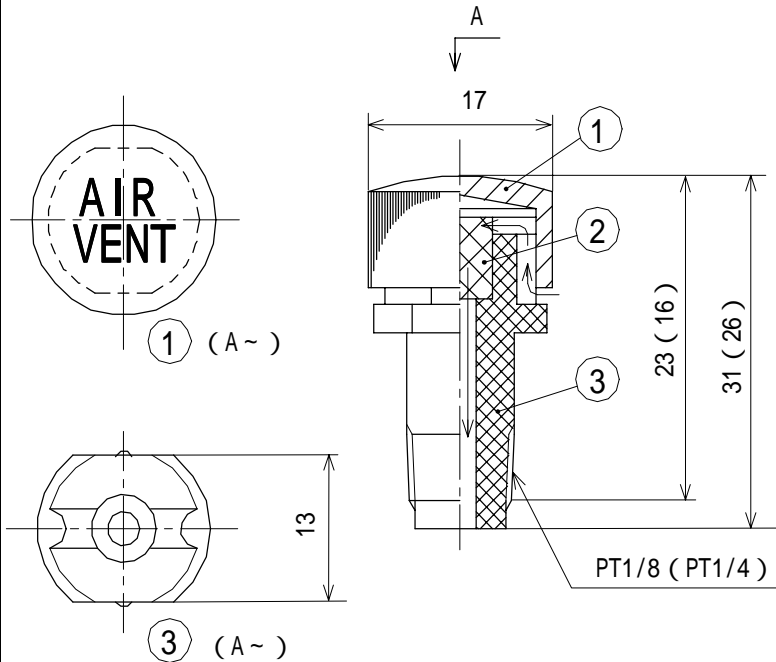
Dimensions of Air Breather and Air Vent

C-6303

3/6

Following air vent is used for CYCLO DRIVE.

4. Construction of Resin Air Vent



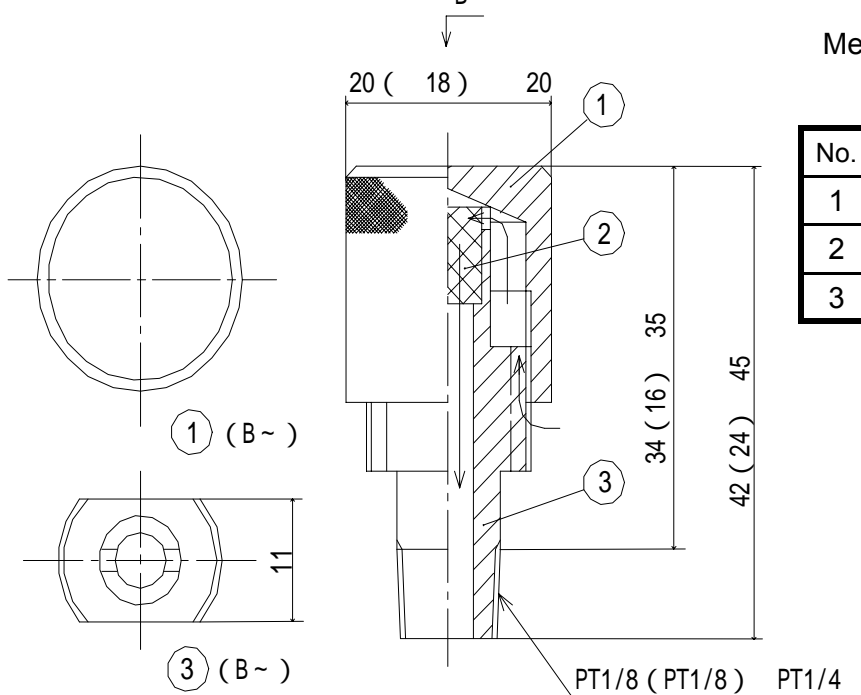
Resin Air Vent

No.	Parts Name	Qty	Material
1	Air vent (cap)	1	Polypropylene
2	Filter	1	Sponge
3	Air vent (plug)	1	Polypropylene

PT1/8--A

PT1/4-B--(dimension)

5. Construction of Metal Air Vent



Metal Air Vent (SS41)

No.	Parts Name	Qty	Material
1	Air vent (cap)	1	SS41 (Zinc plating)
2	Filter	1	Sponge
3	Air vent (plug)	1	SS41 (Zinc plating)

PT1/8 (Large)--C

PT1/8 (S)--D--(dimension)

PT1/4----E--<dimension>

Dimensions of Air Breather and Air Vent (80#, 200#)

C-6303

4/6

6. Application Table of Cyclo Air Vent (Oil lubrication Type)

A, B, C, D, E---With Air Vent (Refer to page 3/6 for shape.)

x-----Without Air Vent

(1) H & HM

213~227#
84~93#
x

(2) V & VM

Type	Spec.	213~215 84, 85	216~219 227, 86 ~ 93	220~226	
				Single Reduction Type	Double Reduction Type
V	Indoor	D	x	x	B
	Outdoor	D	x	x	E
VM	Indoor	A	x	x	B
	Outdoor	C	x	x	E

(3) HF, HMF

Type	Spec.	213~215 84, 85	216~218 86~88	219 89~92	220~226
HF	Indoor	D	C	E	B
	Outdoor	D	C	E	E
HMF	Indoor	A	A	B	B
	Outdoor	C	C	E	E

(4) HV, HMV

Type	Spec.	213~215 84, 85	216~218 86~88	219 89~92	220~226
HV	Indoor	D	C	E	x
	Outdoor	D	C	E	x
HMF	Indoor	A	A	B	x
	Outdoor	C	C	E	x

Dimensions of Air Breather and Air Vent (4000#)

C-6303

5/6

6. Application Table of Cyclo Air Vent (Oil lubrication Type)

A, B, C, D, E---With Air Vent (Refer to page 3/6 for shape.)

x-----Without Air Vent

(1) CHH, CHHM

4130#~4275#
x

(2) CVV, CVVM

Type	Spec.	4130~4155#	4160~4195# 4270, 4275#	4205~4265#	
				Single Reduction Type	Double Reduction Type
CVV	Indoor	D	x	x	B
	Outdoor	D	x	x	E
CVVM	Indoor	A	x	x	B
	Outdoor	C	x	x	E

(3) CHF, CHFM

Type	Spec.	4130~4155#	4160~4185#	4190, 4195#	4205~4265#
CHF	Indoor	D	C	E	B
	Outdoor	D	C	E	E
CHFM	Indoor	A	A	B	B
	Outdoor	C	C	E	E

(4) CHV, CHVM

Type	Spec.	4130~4155#	4160~4185#	4190, 4195#	4205~4265#
CHV	Indoor	D	C	E	x
	Outdoor	D	C	E	x
CHVM	Indoor	A	A	B	x
	Outdoor	C	C	E	x

CYCLO DRIVE	Parts Data
Dimensions of Air Breather and Air Vent (6000#)	C-6303
	6/6

6. CYCLO Air Vent Application Table (Oil Lubrication Types)

A, B, C, D, E --- With air vent (refer to page 3/6 for shape)

x-----Without air vent

(1) CHH, CHHM

6130#~6275#
x

(2) CVV, CVVM

Type	Spec.	6130~614H#	6160~6195# 6275#	6205~6265#	
				Single Reduction Type	Double Reduction Type
CVV	Indoor	D	x	x	B
	Outdoor	D	x	x	E
CVVM	Indoor	A	x	x	B
	Outdoor	C	x	x	E

(3) CHF, CHFM

Type	Spec.	6130~614H#	6160~6185#	6190, 6195#	6205~6265#
CHF	Indoor	D	C	E	B
	Outdoor	D	C	E	E
CHFM	Indoor	A	A	B	B
	Outdoor	C	C	E	E

(4) CHV, CHVM

Type	Spec.	6130~614H#	6160~6185#	6190, 6195#	6205~6265#
CHV	Indoor	D	C	E	x
	Outdoor	D	C	E	x
CHVM	Indoor	A	A	B	x
	Outdoor	C	C	E	x