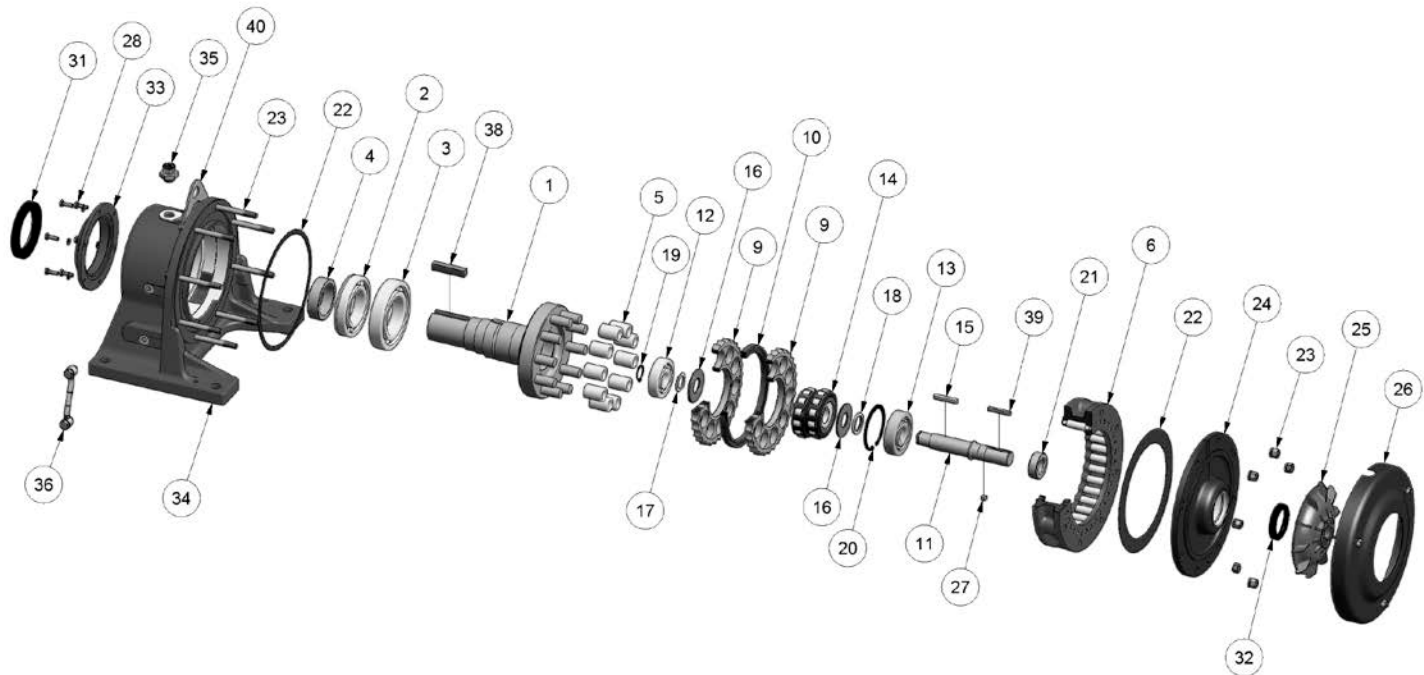


## CYCLO® 6000 SPEED REDUCER PARTS LIST

### CYCLO 6000– PARTS ASSEMBLY

#### Standard Horizontal Reducers



Item No.	Description	Item No.	Description	Item No.	Description
1	Slow Speed Shaft with pins	17	Spacer	27	Fan Key
2	Bearing A	18	Spacer	28	Seal Housing Bolt Set
3	Bearing B	19	Retaining Ring (External)	31	Output Oil Seal
4	Output Oil Seal Collar	20	Retaining Ring (Internal)	32	Input Oil Seal
5	Slow Speed Shaft Rollers	21	Input Oil Seal Collar	33	Oil Seal Housing
6	Ring Gear Housing	22	Gasket Set	34	Horizontal Casing
	Ring Gear Pins	23	Casing Washers	35	Oil Fill Plug/Air Vent Gasket
	Ring Gear Rollers		Casing Nuts	36	Oil Gauge
9	Cyclo® Disc		Casing Bolts	38	Slow Speed Shaft Key
10	Spacer Ring		Casing Shoulder Bolts	39	High Speed Shaft Key
11	High Speed Shaft	24	High Speed End Shield	40	Hanger
12	Bearing C	25	Fan Set Screw		
13	Bearing D		Cooling Fan		
14	Eccentric Bearing Assembly	26	C-Face Motor Adapter		
15	Eccentric Key		Coupling Guards		
16	End Plate (617 & up only)		Fan Guard		

For other Cyclo® configurations parts lists, see the Cyclo® 6000 Operation and Maintenance Manual.